

SINGER
211G165,G166,G265,G266

ILLUSTRATED
PARTS LIST
for

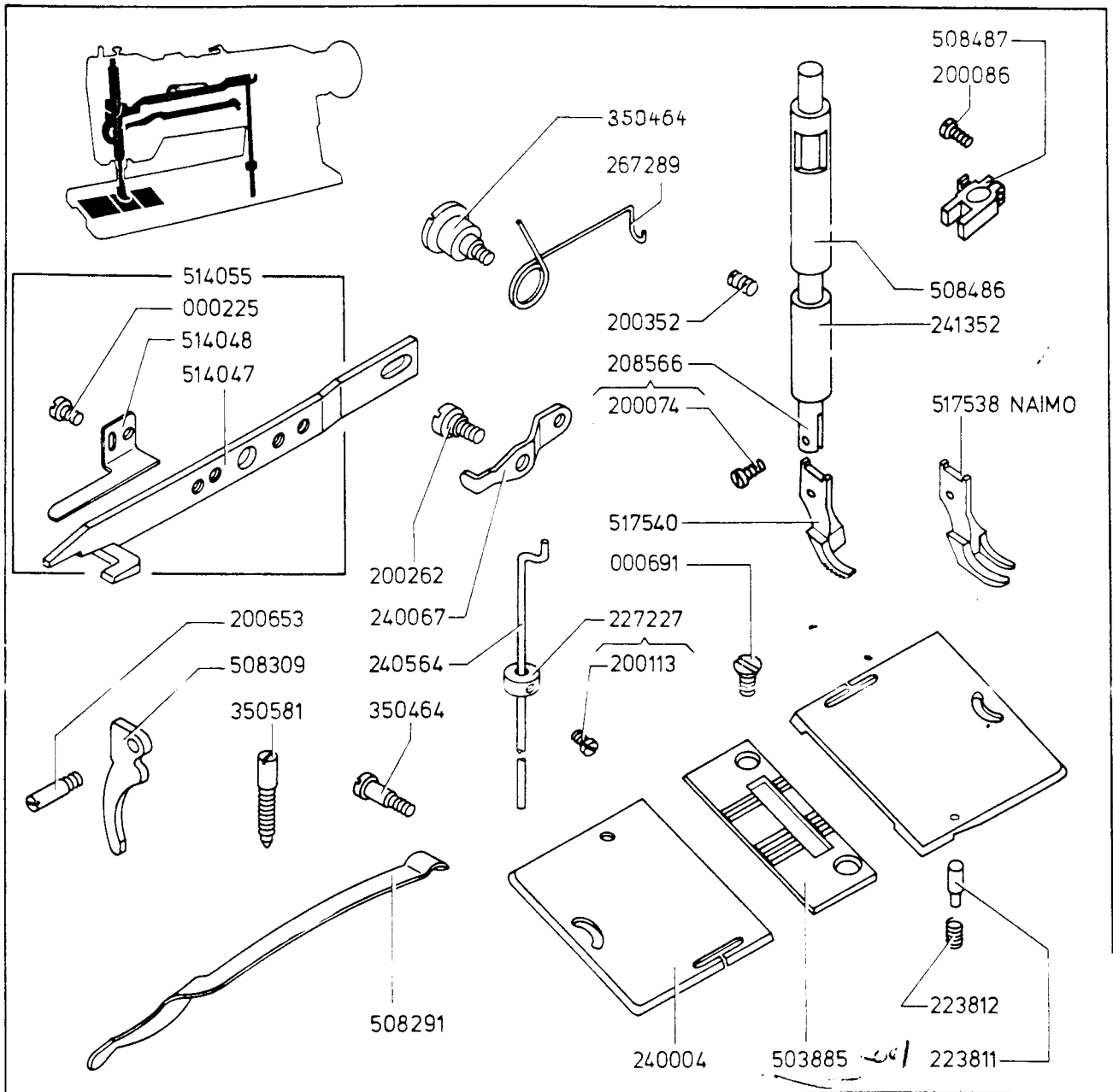
SINGER
MACHINES

211G165

211G166

211G265

211G266



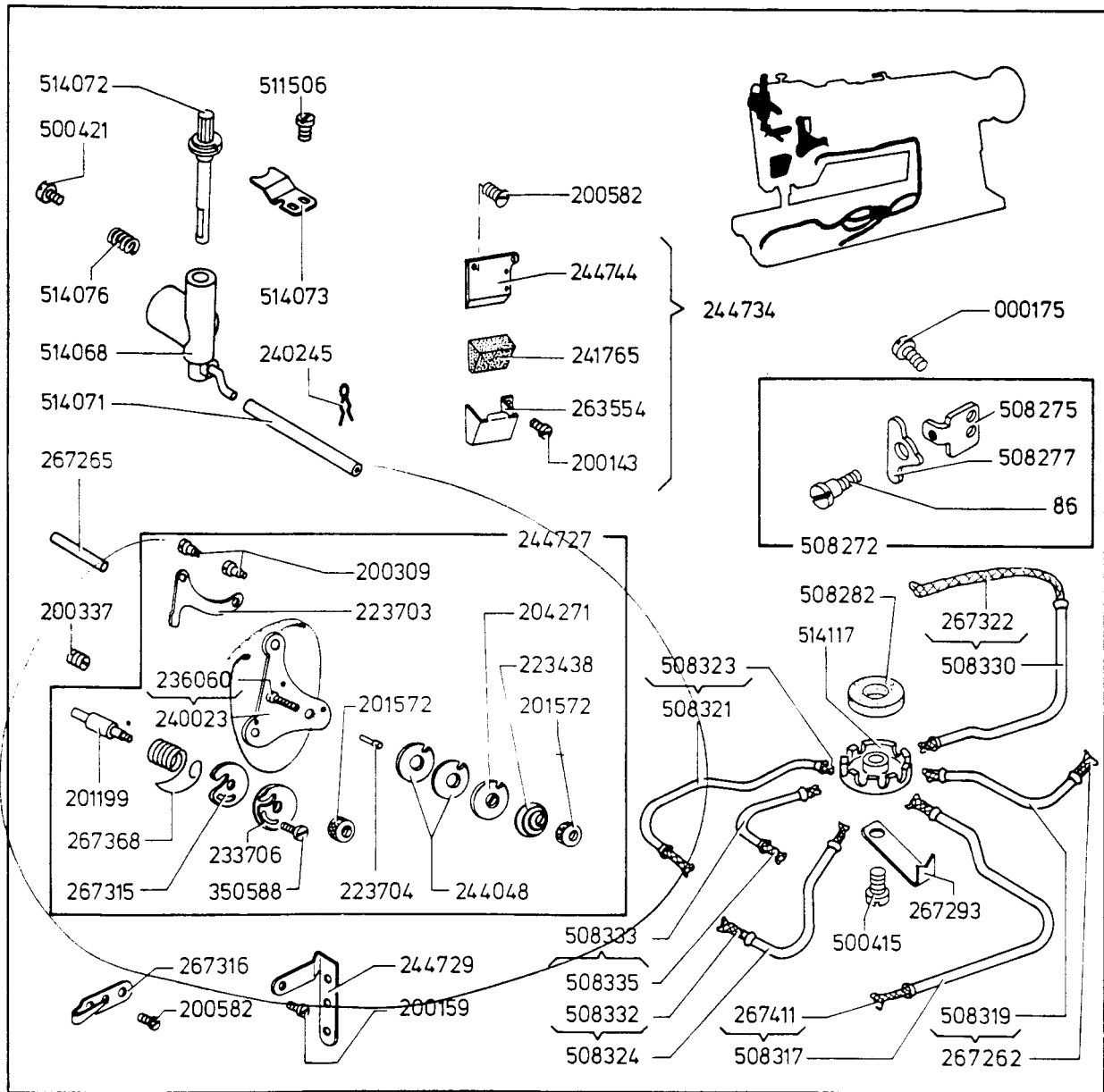
From the library of: Diamond Needle Corp

211G165-700-10

000225-850	KNEE LIFTER LIFTING LEVER SCREW	240067	KNEE LIFTER CONNECTION LEVER
000691-831	THROAT PLATE SCREW (2)	240564	KNEE LIFTER CONNECTION LEVER LIFTING ROD
200074-850	LIFTING PRESSER FOOT SCREW	241352-002	PRESSER BAR BUSHING (LOWER)
200086-833	PRESSER BAR SPRING BRACKET PINCH SCREW	267289	KNEE LIFTER LIFTING LEVER RETURN SPRING
200113-850	KNEE LIFTER CONNECTION LEVER LIFTING ROD STOP COLLAR SET SCREW	350464-819	KNEE LIFTER LIFTING LEVER PINCH SCREW
200262-850	KNEE LIFTER CONNECTION LEVER HINGE SCREW	350581-803	PRESSER BAR SPRING REGULATING SCREW
200352-833	PRESSER BAR BUSHING AND POSITION GUIDE SET SCREW	503885	THROAT PLATE
200653-803	PRESSER BAR LIFTER HINGE SCREW	508291	PRESSER BAR SPRING (FLAT)
350464-819	PRESSER BAR SPRING SUPPORT SCREW	508309	PRESSER BAR LIFTER
208566	PRESSER BAR WITH 200074	508486	PRESSER BAR BUSHING (UPPER)
223811	BED SLIDE (BACK) STOP	508487	PRESSER BAR SPRING BRACKET WITH 200086
223812	BED SLIDE (BACK) STOP SPRING	514047	KNEE LIFTER LIFTING LEVER
227227	KNEE LIFTER CONNECTION LEVER LIFTING ROD STOP COLLAR WITH 200113	514048	TENSION RELEASE ACTUATING SPRING
240004	BED SLIDE (FRONT)	514055	KNEE LIFTER LIFTING LEVER WITH 225, 514047 AND 514048
		517538	LIFTING PRESSER FOOT (NAIMO)
		517540	LIFTING PRESSER FOOT

PART NO. DESCRIPTION

PART NO. DESCRIPTION



000086-850	TENSION RELEASE BELL CRANK HINGE SCREW
000175-850	TENSION RELEASE BRACKET SCREW (2)
200143-819	THREAD LUBRICATOR OIL PAD HOLDER SCREW (2)
200159-806	TENSION BRACKET SCREW
200309-805	TENSION RELEASE LEVER SCREW (2)
200337-803	THREAD CONTROLLER STUD SET SCREW
200582-850	THREAD GUIDE SCREW
200582-850	THREAD LUBRICATOR PLATE SCREW (2)
201199	THREAD CONTROLLER STUD
201572-819	TENSION THUMB NUT (2)
204271	TENSION RELEASE WASHER
223438	TENSION SPRING
223703	TENSION RELEASE LEVER
223704	TENSION RELEASE PLUNGER
233706	THREAD CONTROLLER DISC
236060	TENSION DISC POSITION PIN
240023	TENSION BRACKET WITH 236060
240245	THREAD LUBRICATING TUBE CLAMP
241765	THREAD LUBRICATOR OIL PAD (FELT)
244048	TENSION DISC (2)
244727	TENSION BRACKET CPL. NOS. 201199, 204271, 223438, 223703, 223704, 240023, 267315, 267368, 350588 AND TWO EACH 200309, 201572 AND 244048
244734	THREAD LUBRICATOR OIL PAD HOLDER CPL. NOS. 241765, 244744, 263554 AND TWO 200143
244744	THREAD LUBRICATOR PLATE
263554	THREAD LUBRICATOR OIL PAD HOLDER
267262	FEED DRIVING ROCK SHAFT BUSHING OIL TUBE WICK
267265	TENSION RELEASE LEVER ROD
267293	BED OIL TUBE CLAMP
267315	THREAD CONTROLLER SPRING TOP
267316	THREAD GUIDE

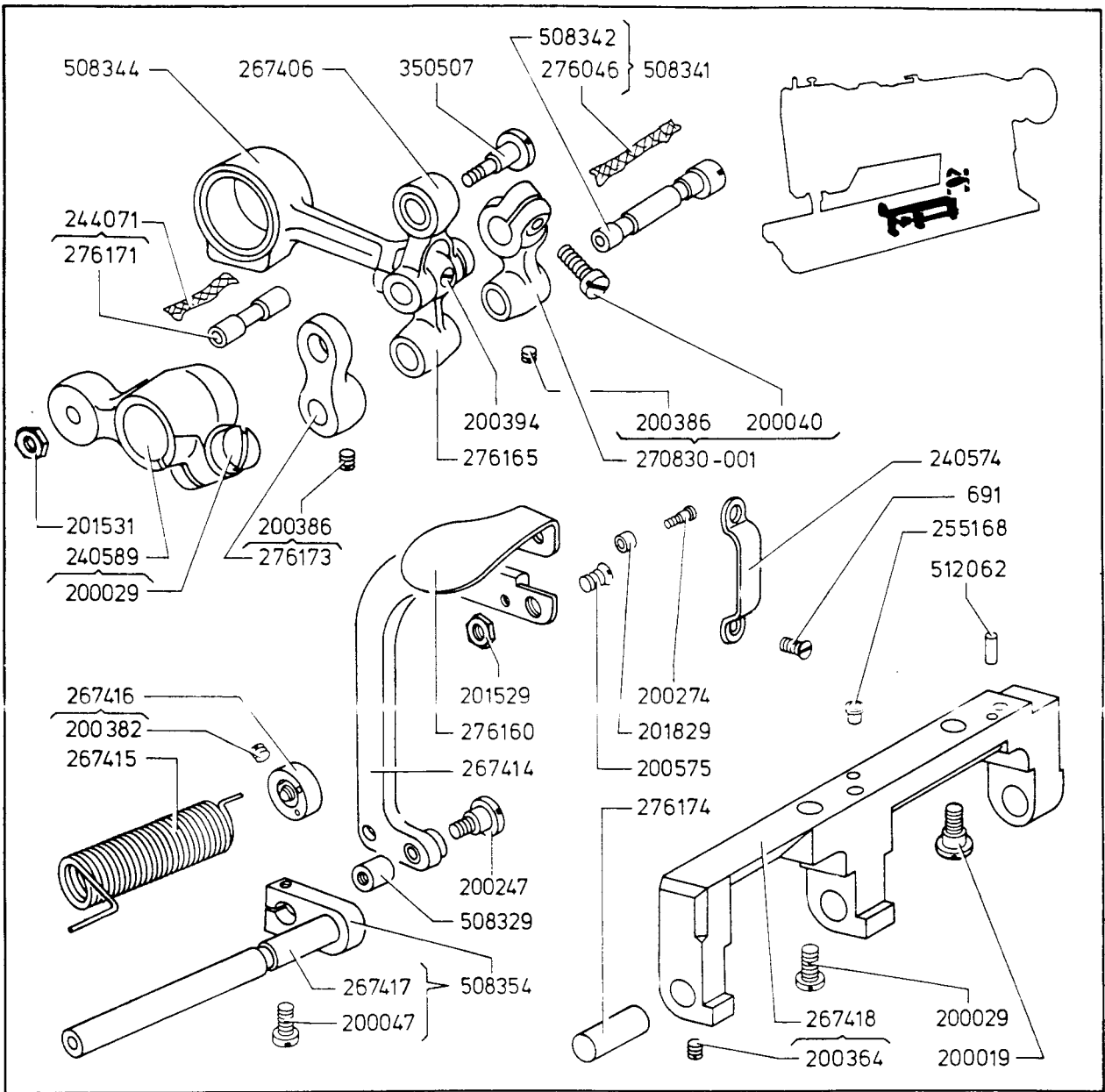
244729	THREAD RETAINER
267322	BED OIL SUPPLY TUBE OIL WICK
267368	THREAD CONTROLLER SPRING
267411	FEED DRIVING ROCK SHAFT BUSHING OIL TUBE
350588-819	THREAD CONTROLLER DISC SCREW
500415-850	BED OIL TUBE CLAMP SCREW
500421-850	THREAD LUBRICATING RESERVOIR CLAMPING SPRING SCREW
508272	TENSION RELEASE BRACKET CPL. NOS. 86, 508275 AND 508277
508275	TENSION RELEASE BRACKET
508277	TENSION RELEASE BELL CRANK
508282	BED OIL TUBE CLAMP OILING FELT
508317	FEED DRIVING ROCK SHAFT BUSHING OIL TUBE WITH 267411
508319	FEED DRIVING ROCK SHAFT BUSHING OIL TUBE WITH 267262
508321	HOOK DRIVING SHAFT BEARING LEFT OIL TUBE WITH 508323
508323	HOOK DRIVING SHAFT BEARING (LEFT) OIL TUBE WICK
508324	HOOK SATTLE BEARING OIL TUBE WITH 508332
508330	BED OIL SUPPLY TUBE WITH 267322
508332	HOOK SATTLE BEARING OIL TUBE WICK
508333	FEED DRIVING ECCENTRIC CONNECTION OIL TUBE WITH 508335
508335	FEED DRIVING ECCENTRIC CONNECTION OIL TUBE WICK
511506-869	THREAD LUBRICATOR REGULATOR SPRING SCREW (2)
514068	THREAD LUBRICATING RESERVOIR
514071	THREAD LUBRICATING TUBE
514072	THREAD LUBRICATION REGULATOR
514073	THREAD LUBRICATION REGULATOR SPRING
514076	THREAD LUBRICATING RESERVOIR CLAMPING SPRING
514117	BED OIL TUBE CLAMP

211G165-800-(0870)

PART NO. DESCRIPTION

PART NO. DESCRIPTION

From the library of: Diamond Needle Corp



From the library of: Diamond Needle Corp

Parts for Machine 211 G 166

211G166-1000-(0870,-645)

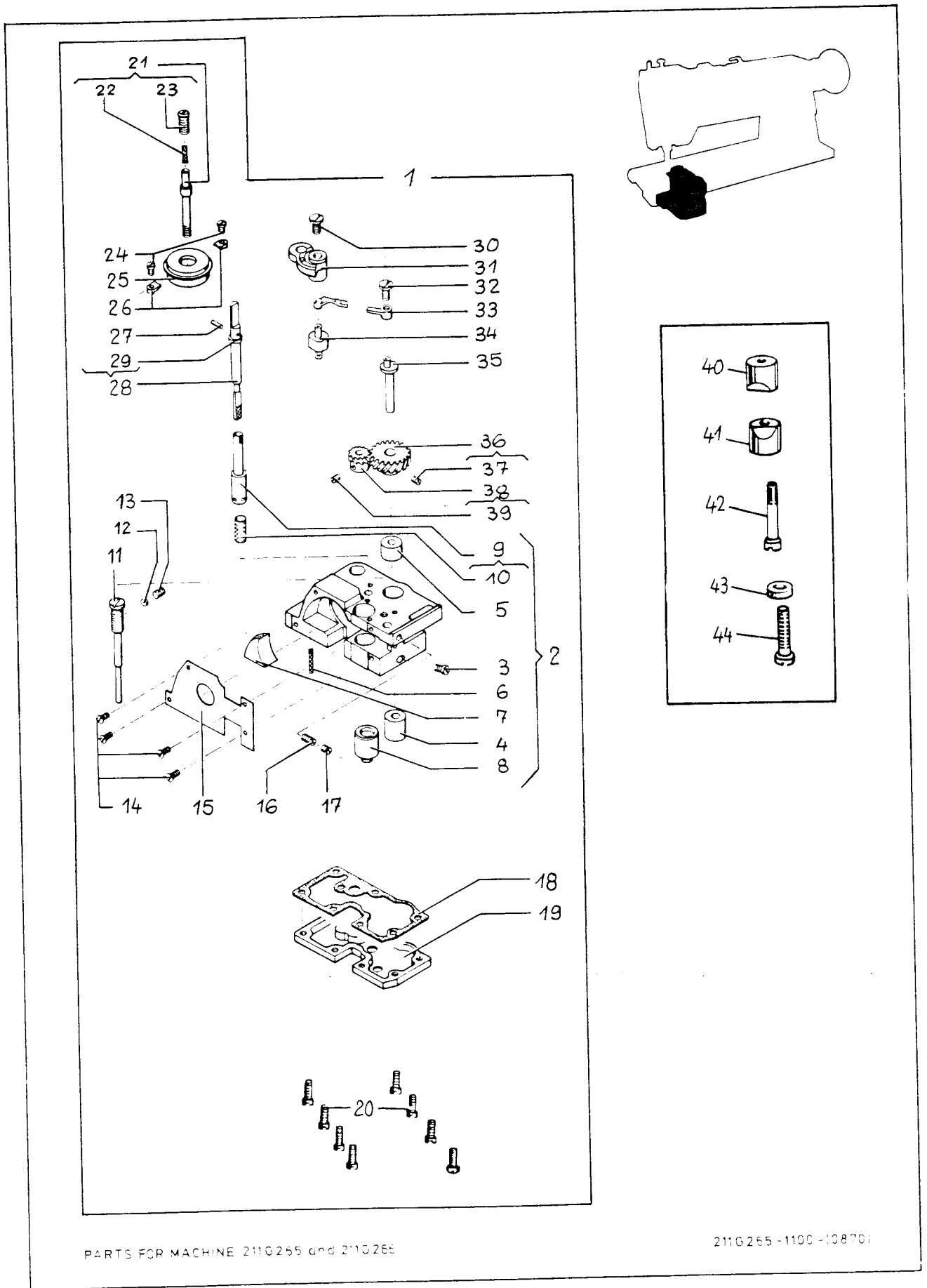
For parts not illustrated, refer to machine 211 G 165 (page 100-900)

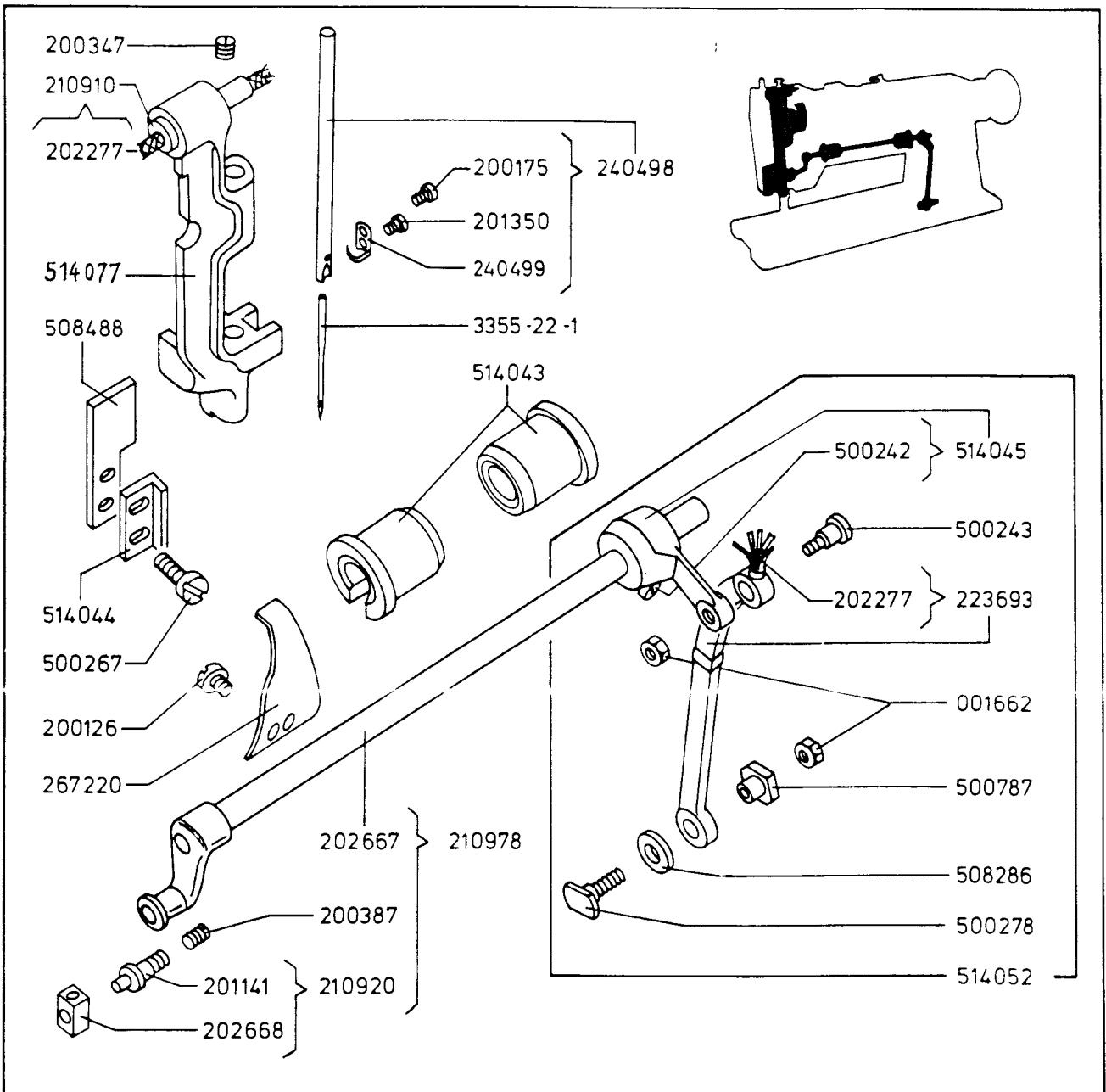
691-831	FEED REVERSING LEVER GUIDE ROLLER POSITION PLATE SCREW (2)
200019-850	FEED REVERSING SHAFT BRACKET SCREW
200029-805	FEED REVERSING SHAFT BRACKET SCREW
200029-850	FEED DRIVING ROCK SHAFT CRANK PINCH SCREW
200040-833	FEED REVERSING SHAFT CRANK PINCH SCREW
200047-850	FEED REVERSING SHAFT DRIVING STUD PINCH SCREW
200247-803	FEED REVERSING LEVER PINCH SCREW
200274-803	FEED REVERSING LEVER GUIDE ROLLER SCREW STUD
200364-830	FEED REVERSING MECHANISM SUPPORT LINK STUD SET SCREW
200382-833	FEED REVERSING LEVER SPRING COLLAR SET SCREW (2)
200386-833	FEED REVERSING SHAFT CRANK HINGE STUD SET SCREW (2)
200394-803	FEED DRIVING ECCENTRIC CONNECTION LINK HINGE PIN SET SCREW
200575-819	FEED REVERSING LEVER HANDLE SCREW
201529-819	FEED REVERSING LEVER HANDLE SCREW NUT
201531-805	FEED DRIVING ROCK SHAFT CRANK HINGE SCREW NUT
201829	FEED REVERSING LEVER GUIDE ROLLER
240574	FEED REVERSING LEVER GUIDE ROLLER POSITION PLATE
240589	FEED DRIVING ROCK SHAFT WITH 200029
244071	FEED DRIVING ECCENTRIC CONNECTION LINK HINGE PIN OIL PACKING (WICK)

255168	BED OIL CUP (2)
267406	FEED DRIVING ECCENTRIC CONNECTION
267414	FEED REVERSING LEVER
267415	FEED REVERSING LEVER SPRING
267416	FEED REVERSING LEVER SPRING COLLAR WITH TWO 200382
267417	FEED REVERSING SHAFT
267418	FEED REVERSING SHAFT BRACKET WITH 200364
270830-001	FEED REVERSING SHAFT CRANK WITH 200040 AND 200386
276046	FEED REVERSING SHAFT CRANK HINGE STUD OIL PACKING (WICK)
276160	FEED REVERSING LEVER HANDLE
276165	FEED REVERSING SHAFT LINK WITH 200394
276171	FEED DRIVING ECCENTRIC CONNECTION LINK HINGE PIN PIN OILING PACKING WITH 244071
276173	FEED REVERSING MECHANISM SUPPORT LINK WITH 200386
276174	FEED REVERSING SHAFT CRANK HINGE STUD SET SCREW
350507-803	FEED DRIVING ROCK SHAFT CRANK HINGE SCREW
508329	FEED REVERSING SHAFT DRIVING STUD
508341	FEED REVERSING SHAFT CRANK HINGE STUD WITH 276046 AND 508342
508342	FEED REVERSING SHAFT CRANK HINGE STUD
508344	FEED DRIVING ECCENTRIC CONNECTION
508354	FEED REVERSING SHAFT WITH 267417 AND 200047
512062	FEED REVERSING SHAFT BRACKET POSITION PIN (2)

PART NO. DESCRIPTION

PART NO. DESCRIPTION





From the library of: Diamond Needle Corp

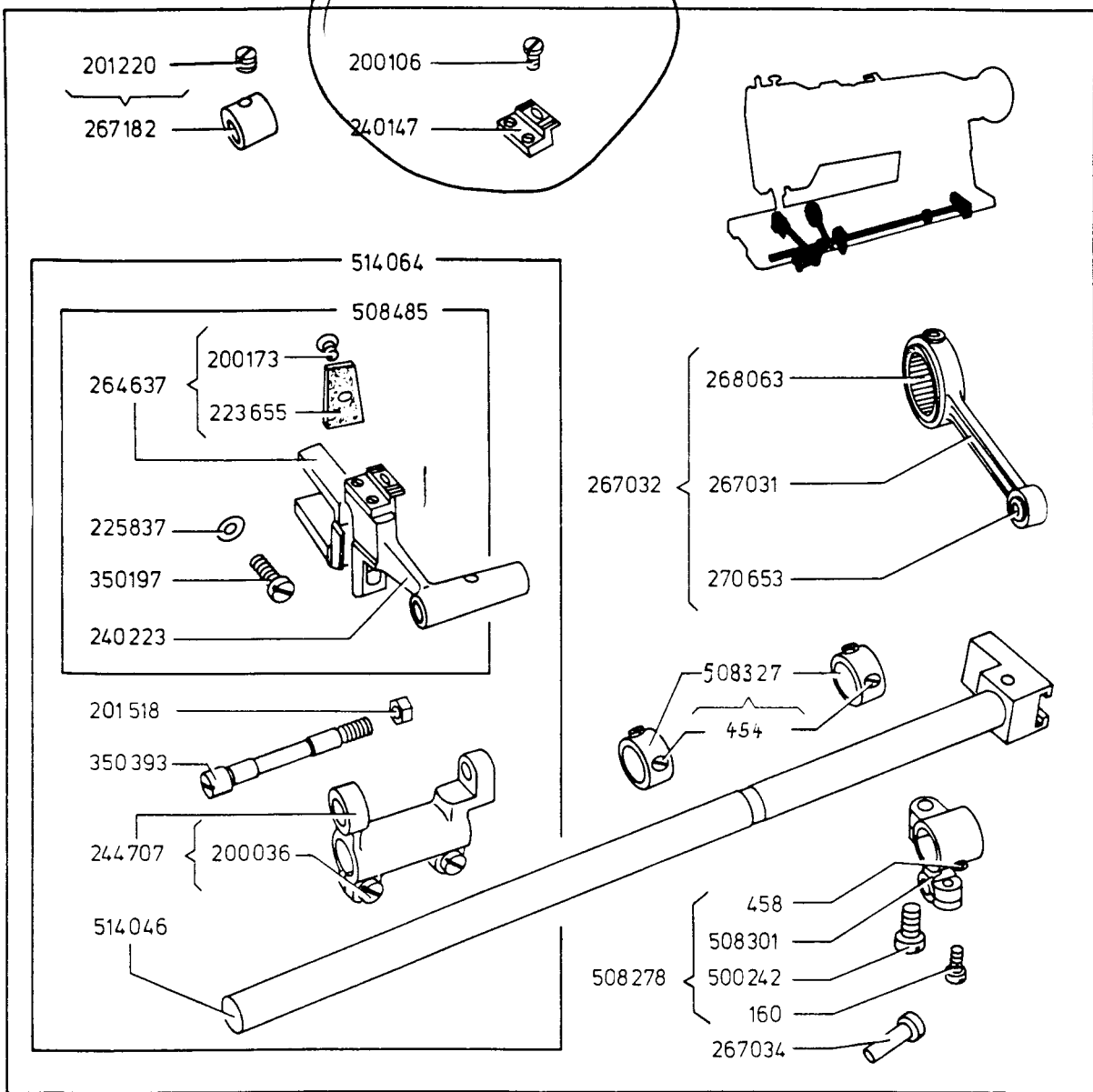
211G165-300-108701

001662-805	NEEDLE BAR ROCK SHAFT CRANK SLIDE SCREW LOCK NUT AND CONNECTION HINGE SCREW NUT (2)
003355-22-1	NEEDLE
200126-805	OIL GUARD SCREW (2)
200175-850	NEEDLE BAR THREAD GUIDE SCREW
200347-833	TAKE-UP LEVER HINGE STUD SET SCREW
200387-830	NEEDLE BAR ROCK FRAME ROCK SHAFT SLIDE BLOCK STUD SET SCREW
201141-803	NEEDLE BAR ROCK FRAME ROCK SHAFT SLIDE BLOCK STUD
201350-806	NEEDLE SET SCREW
202277	TAKE-UP LEVER HINGE STUD OIL WICK
202277	NEEDLE BAR ROCK FRAME ROCK SHAFT CRANK CONNECTION OIL WICK
202667	NEEDLE BAR ROCK FRAME ROCK SHAFT
202668	NEEDLE BAR ROCK FRAME ROCK SHAFT SLIDE BLOCK
210910	TAKE-UP LEVER HINGE STUD WITH 202277
210920	NEEDLE BAR ROCK FRAME ROCK SHAFT SLIDE BLOCK CPL. NOS. 201141 AND 202668
210978	NEEDLE BAR ROCK FRAME ROCK SHAFT CPL. NOS. 200387, 202667 AND 210920

223693	NEEDLE BAR ROCK FRAME ROCK SHAFT CRANK CONNECTION WITH 202277
514077	NEEDLE BAR ROCK FRAME
240498	NEEDLE BAR WITH 200175, 201350 AND 508456
240499	NEEDLE BAR THREAD GUIDE
267220	OIL GUARD
500242-850	NEEDLE BAR ROCK SHAFT CONNECTION LINK CRANK PINCH SCREW
500243-803	NEEDLE BAR ROCK SHAFT CONNECTION HINGE SCREW
500267-850	PRESSER BAR GUIDE SCREW (2)
500278-803	NEEDLE BAR ROCK SHAFT CRANK SLIDE SCREW
500787-803	NEEDLE BAR ROCK SHAFT CRANK SLIDE SCREW NUT
508286	NEEDLE BAR ROCK SHAFT CRANK SLIDE SCREW SPACER
508488	PRESSER BAR GUIDE
514043	NEEDLE BAR ROCK SHAFT BUSHING (2)
514044	NEEDLE BAR ROCK FRAME POSITION BRACKET
514045	NEEDLE BAR ROCK SHAFT CONNECTION LINK CRANK WITH 500242
514052	NEEDLE BAR ROCK SHAFT CONNECTION LINK CRANK CPL. NOS. 223693, 500243, 500278, 500787, 508286, 514045 AND TWO 1662

PART NO. DESCRIPTION

PART NO. DESCRIPTION



211G165-400-0870

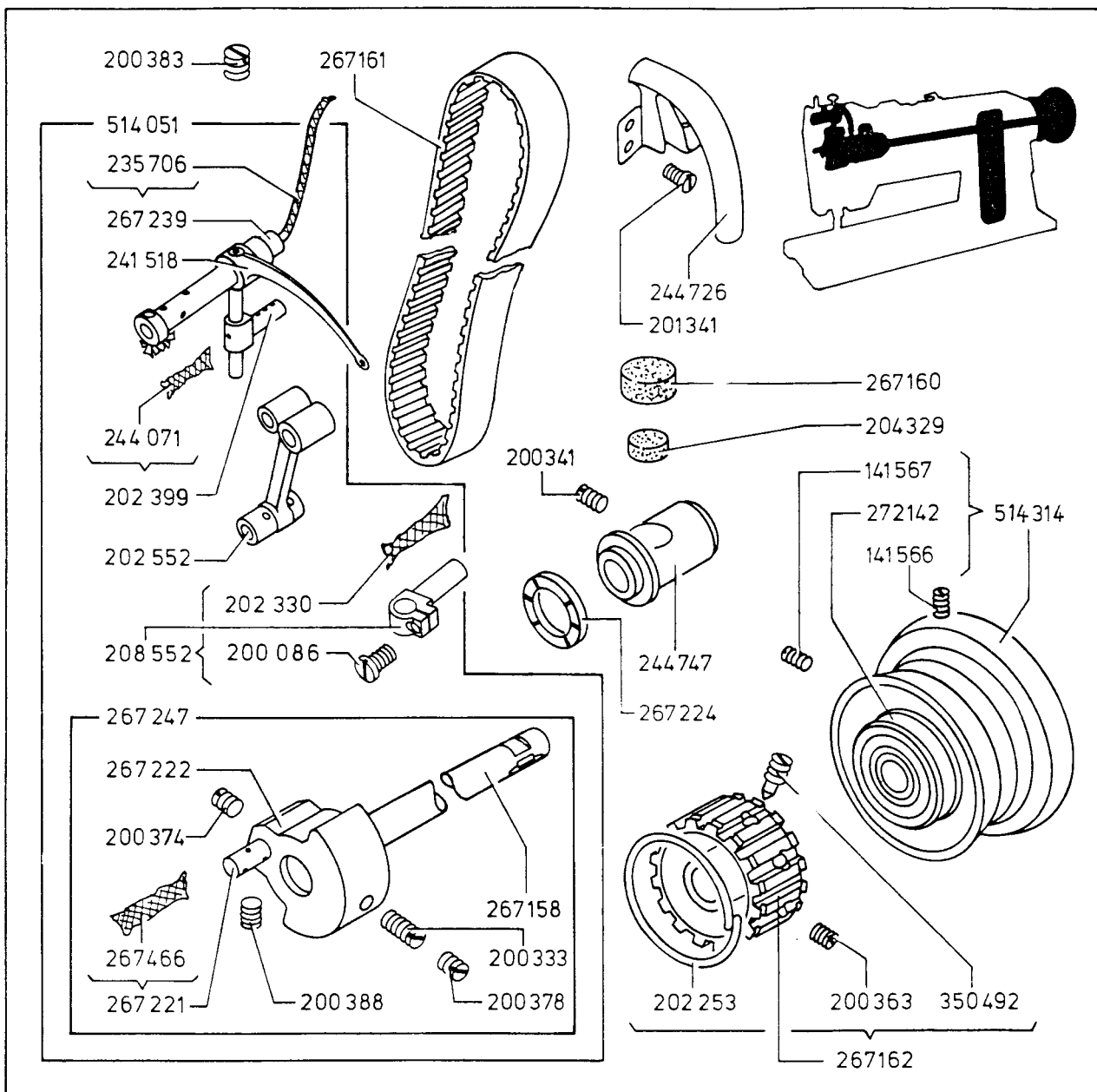
From the library of: Diamond Needle Corp

000160-803	FEED DRIVING ECCENTRIC CONNECTION HINGE STUD SCREW
000458-830	FEED DRIVING ROCK SHAFT CRANK POSITION SCREW
200036-850	FEED DRIVING ROCK FRAME PINCH SCREW (2)
200106-833	FEED DOG SCREW (2)
200173-804	FEED LIFTING ECCENTRIC OILING FELT SCREW
454-850	FEED DRIVING ROCK SHAFT STOP COLLAR SET SCREW (4)
201220-833	FEED LIFTING ECCENTRIC SET SCREW
201518-805	FEED BAR HINGE SCREW NUT
508327	FEED DRIVING ROCK SHAFT STOP COLLAR (2) WITH TWO EACH 200383-850
223655-000	FEED LIFTING ECCENTRIC OILING FELT
225837-000	FEED LIFTING ECCENTRIC FORK SCREW WASHER
240147-000	FEED DOG
240223-000	FEED BAR
244707-000	FEED DRIVING ROCK FRAME WITH TWO 200036
264637-000	FEED LIFTING ECCENTRIC FORK WITH 200173 AND 223655
267031-000	FEED DRIVING ECCENTRIC CONNECTION

267032-000	FEED DRIVING ECCENTRIC CONNECTION CPL. NOS. 267031, 268063 AND 270653
267034-000	FEED DRIVING ECCENTRIC CONNECTION HINGE STUD
267182-000	FEED LIFTING ECCENTRIC WITH 201220
268063-000	FEED DRIVING ECCENTRIC CONNECTION NEEDLE BEARING
270653-000	FEED DRIVING ECCENTRIC CONNECTION HINGE STUD NEEDLE BEARING
350197-805	FEED LIFTING ECCENTRIC FORK SCREW
350393-803	FEED BAR HINGE SCREW
500242-850	FEED DRIVING ROCK SHAFT CRANK PINCH SCREW
508278-000	FEED DRIVING ROCK SHAFT CRANK CPL. NOS. 160, 458, 500242 AND 508301
508301-000	FEED DRIVING ROCK SHAFT CRANK
508485-000	FEED BAR CPL. NOS. 225837, 240223, 264637 AND 350197
514046-000	FEED DRIVING ROCK SHAFT
514064-000	FEED DRIVING ROCK SHAFT CPL. NOS. 201518, 244707, 350393, 508485 AND 514046

PART NO. DESCRIPTION

PART NO. DESCRIPTION



From the library of: Diamond Needle Corp

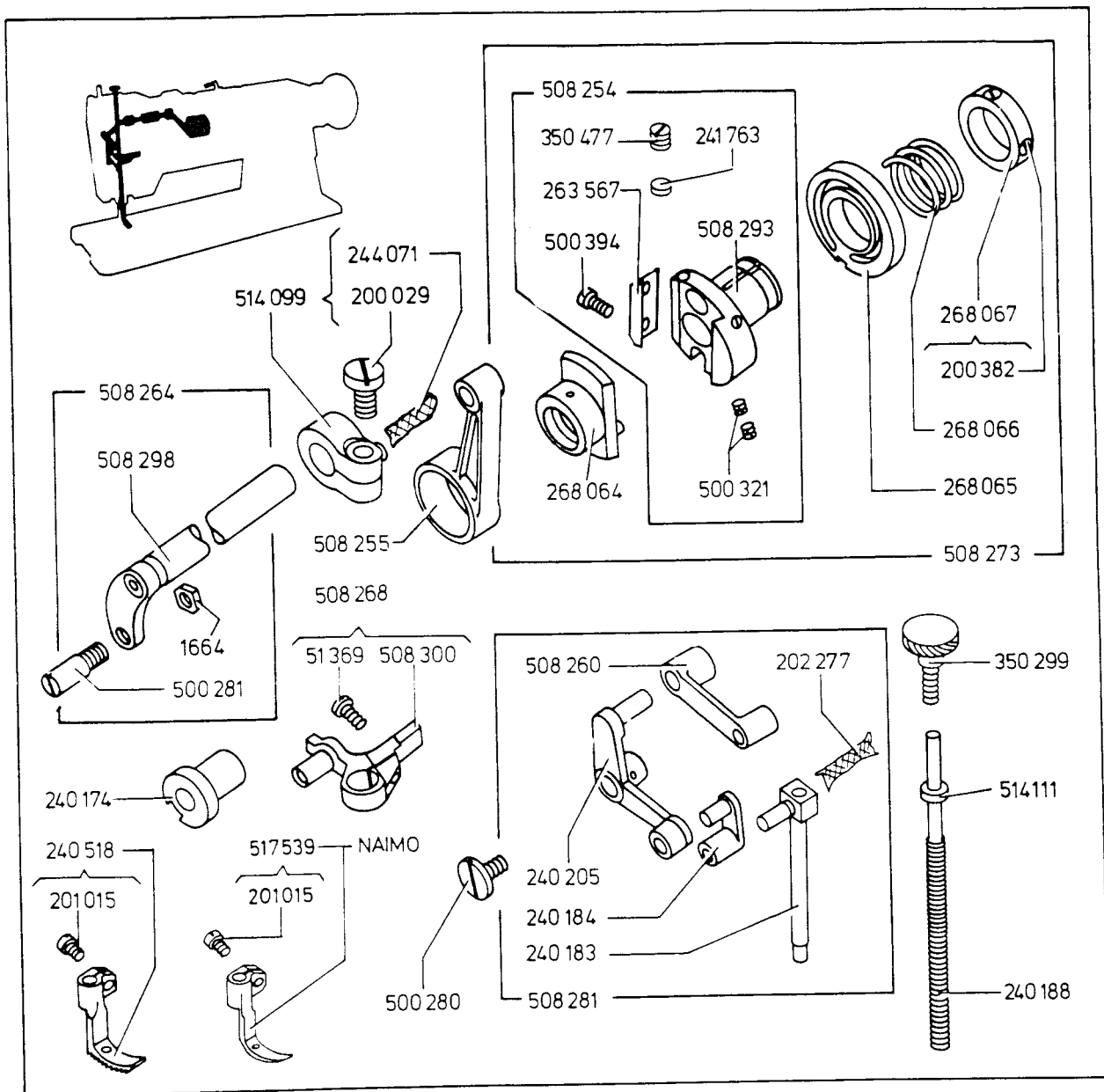
211G165-100-(0870)

141566-833 MACHINE PULLEY POSITION SCREW
 141567-833 MACHINE PULLEY SET SCREW
 200086-833 NEEDLE BAR CONNECTING STUD PINCH SCREW
 200333-803 NEEDLE BAR CRANK POSITION SCREW
 200341-803 ARM SHAFT BUSHING SET SCREW
 200363-833 ARM SHAFT CONNECTION BELT PULLEY SET SCREW
 200374-833 NEEDLE BAR CONNECTING UNK STUD SET SCREW
 200378-850 NEEDLE BAR CRANK CHECK SCREW
 200383-850 TAKE - UP LEVER HINGE STUD SET SCREW
 200388-850 NEEDLE BAR CONNECTING LINK STUD SET SCREW
 201341-803 TAKE - UP LEVER GUARD SCREW (3)
 202253-000 ARM SHAFT CONNECTION BELT PULLEY SPRING FLANGE (2)
 202330-000 NEEDLE BAR CONNECTING STUD WICK
 202399-000 TAKE - UP LEVER DRIVING STUD WITH 244071
 202552-000 NEEDLE BAR CONNECTING LINK
 204329-000 ARM SHAFT BUSHING OIL PAD (FELT) (LOWER)
 208552-000 NEEDLE BAR CONNECTING STUD WITH 200086 AND 202330
 235706-000 TAKE - UP LEVER HINGE STUD OIL WICK
 241518-000 TAKE - UP LEVER
 244071-000 TAKE - UP LEVER DRIVING STUD OIL WICK

244726-000 TAKE - UP LEVER GUARD
 244747-000 ARM SHAFT BUSHING (FRONT)
 267158-000 ARM SHAFT
 267160-000 ARM SHAFT BUSHING OIL PAD (FELT) (UPPER)
 267161-000 ARM SHAFT CONNECTION BELT (REINFORCED NEOPRENE)
 267162-000 ARM SHAFT CONNECTION BELT PULLEY WITH 200363, 350492 AND TWO 202253
 267221-000 NEEDLE BAR CONNECTING LINK STUD WITH 267466
 267222-000 NEEDLE BAR CRANK
 267224-000 NEEDLE BAR CRANK FRICTION WASHER
 267239-000 TAKE - UP LEVER HINGE STUD WITH 235706
 267247-000 ARM SHAFT WITH 200333, 200374, 200378, 200388, 267158, 267221 AND 267222
 267466-000 NEEDLE BAR CONNECTING LINK STUD WICK
 272142-000 ARM SHAFT BALL BEARING (BACK)
 350492-830 ARM SHAFT CONNECTION BELT PULLEY POSITION SCREW
 514314-000 MACHINE PULLEY CPL. NOS. 141566, 141567 AND 272142
 514051-000 ARM SHAFT CPL. NOS. 202399, 208552, 238251, 241518, 267239 AND 267247

PART NO. DESCRIPTION

PART NO. DESCRIPTION

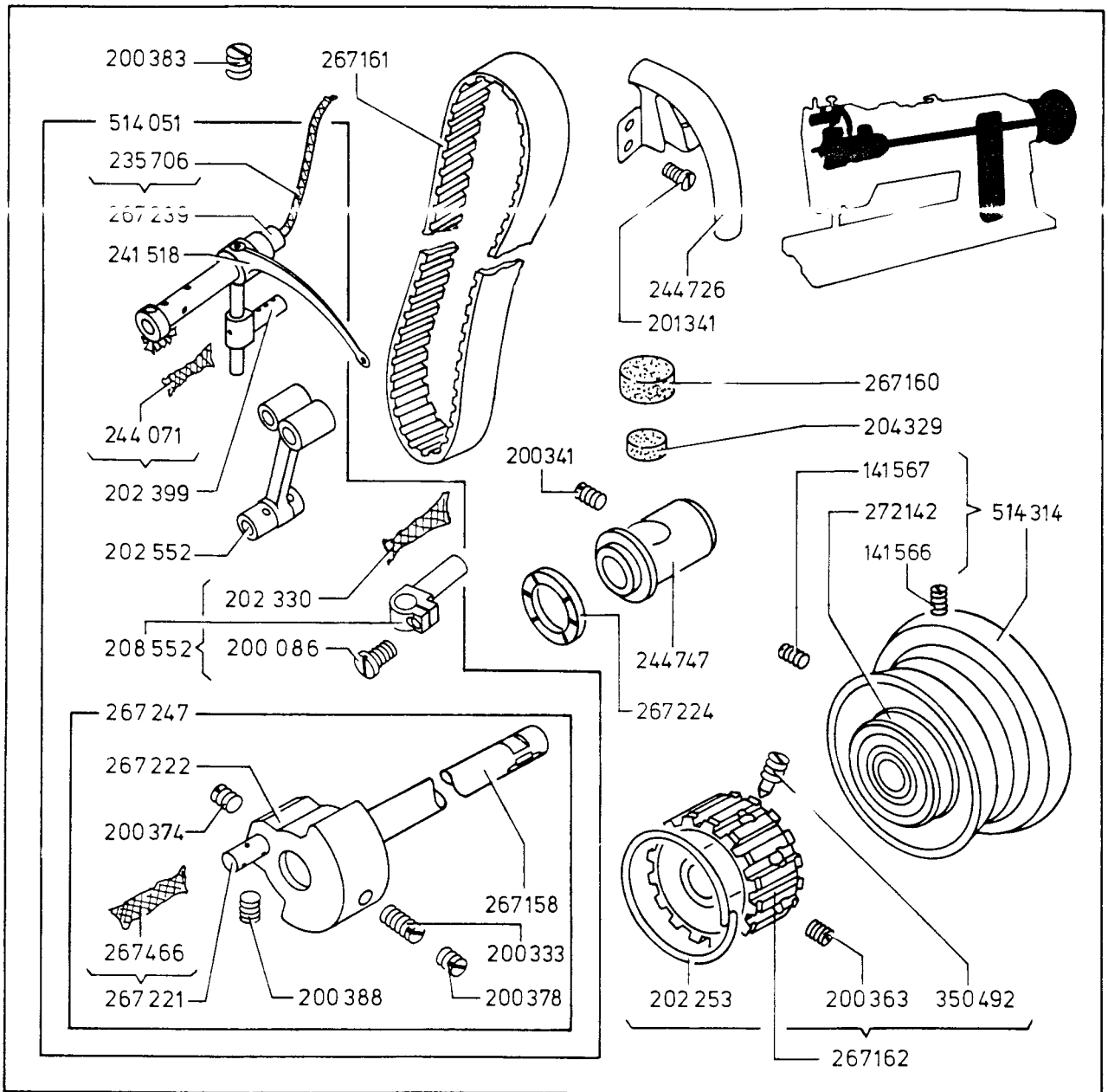


211G165-200-0870

001664-805	LIFTING BELL CRANK LINK SCREW STUD NUT	350299-803	VIBRATING PRESSER BAR THUMB SCREW (PRESSURE REGULATING)
051369-803	PRESSER BAR LIFTER BRACKET PINCH SCREW	350477-803	FEED DRIVING ECCENTRIC FRICTION PLATE SCREW SET SCREW (2)
200029-805	LIFTING ECCENTRIC CONNECTION CRANK PINCH SCREW	500280-850	LIFTING BELL CRANK CAP SCREW
200382-833	LIFTING ECCENTRIC ADJUSTING DISC SPRING COLLAR SET SCREW (2)	500281-000	LIFTING BELL CRANK LINK SCREW STUD
201015-850	VIBRATING PRESSER FOOT PINCH SCREW	500321-869	LIFTING ECCENTRIC FLANGE HEXAGON SOCKET SCREW (4)
202277-900	VIBRATING PRESSER BAR WICK	500394-850	LIFTING ECCENTRIC FRICTION PLATE SCREW (2)
240174-300	LIFTING ROCK SHAFT BUSHING (2)	508254-000	LIFTING ECCENTRIC FLANGE CPL. NOS. 263567, 508293, TWO EACH 241763, 350477, 500394 AND FOUR 500321
240183-000	VIBRATING PRESSER BAR	508255-000	LIFTING ECCENTRIC CONNECTION
240184-100	VIBRATING PRESSER BAR CONNECTING LINK	518160-000	LIFTING BELL CRANK LINK
240188-000	VIBRATING PRESSER BAR EXTENSION SPRING	508264-000	LIFTING ROCK SHAFT CPL. NOS. 1664, 500281 AND 508298
240205-300	LIFTING BELL CRANK	508281-000	VIBRATING PRESSER BAR WITH BELL CRANK AND LIFTING BELL CRANK CPL. NOS. 202277, 240183, 240184, 240205 AND 508260
240518-000	VIBRATING PRESSER FOOT WITH 201015	514099-000	LIFTING ECCENTRIC FLANGE
241763-000	LIFTING ECCENTRIC FRICTION PLATE SCREW SET SCREW PACKING BRASS (2)	508298-000	LIFTING ROCK SHAFT
244071-000	LIFTING ECCENTRIC CONNECTION CRANK OIL WICK	508300-000	PRESSER BAR LIFTER BRACKET
263567-000	LIFTING ECCENTRIC FRICTION PLATE	514099-000	LIFTING ECCENTRIC CONNECTION CRANK WITH 200029 AND 244071
268064-000	LIFTING ECCENTRIC	514111-000	VIBRATING PRESSER BAR EXTENSION
268065-000	FEED DRIVING ECCENTRIC ADJUSTING DISC	517539	VIBRATING PRESSER FOOT WITH 201015 (NAIMO)
268066-000	FEED DRIVING ECCENTRIC ADJUSTING DISC SPRING		
268067-000	LIFTING ECCENTRIC ADJUSTING DISC SPRING COLLAR WITH TWO 200382		

PART NO.	DESCRIPTION	PART NO.	DESCRIPTION
----------	-------------	----------	-------------

From the library of: Diamond Needle Corp



From the library of: Diamond Needle Corp

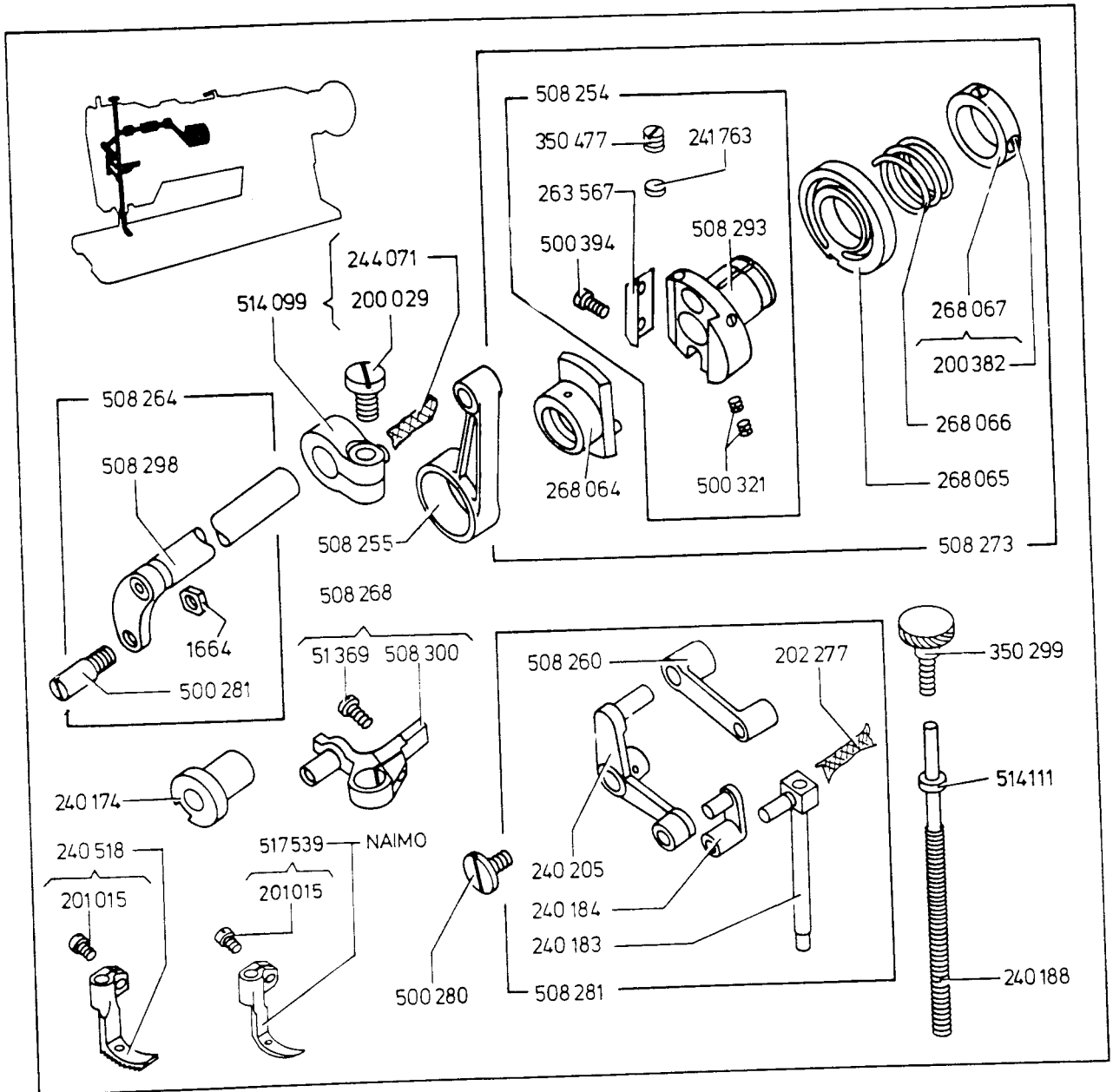
211G165-100-108701

141566-833	MACHINE PULLEY POSITION SCREW
141567-833	MACHINE PULLEY SET SCREW
200086-833	NEEDLE BAR CONNECTING STUD PINCH SCREW
200333-803	NEEDLE BAR CRANK POSITION SCREW
200341-803	ARM SHAFT BUSHING SET SCREW
200363-833	ARM SHAFT CONNECTION BELT PULLEY SET SCREW
200374-833	NEEDLE BAR CONNECTING UNK STUD SET SCREW
200378-850	NEEDLE BAR CRANK CHECK SCREW
200383-850	TAKE - UP LEVER HINGE STUD SET SCREW
200388-850	NEEDLE BAR CONNECTING LINK STUD SET SCREW
201341-803	TAKE - UP LEVER GUARD SCREW (3)
202253-000	ARM SHAFT CONNECTION BELT PULLEY SPRING FLANGE (2)
202330-000	NEEDLE BAR CONNECTING STUD WICK
202399-000	TAKE - UP LEVER DRIVING STUD WITH 244071
202552-000	NEEDLE BAR CONNECTING LINK
204329-000	ARM SHAFT BUSHING OIL PAD (FELT) (LOWER)
208552-000	NEEDLE BAR CONNECTING STUD WITH 200086 AND 202330
235706-000	TAKE - UP LEVER HINGE STUD OIL WICK
241518-000	TAKE - UP LEVER
244071-000	TAKE - UP LEVER DRIVING STUD OIL WICK

244726-000	TAKE - UP LEVER GUARD
244747-000	ARM SHAFT BUSHING (FRONT)
267158-000	ARM SHAFT
267160-000	ARM SHAFT BUSHING OIL PAD (FELT) (UPPER)
267161-000	ARM SHAFT CONNECTION BELT (REINFORCED NEOPRENE)
267162-000	ARM SHAFT CONNECTION BELT PULLEY WITH 200363, 350492 AND TWO 202253
267221-000	NEEDLE BAR CONNECTING LINK STUD WITH 267466
267222-000	NEEDLE BAR CRANK
267224-000	NEEDLE BAR CRANK FRICTION WASHER
267239-000	TAKE - UP LEVER HINGE STUD WITH 235706
267247-000	ARM SHAFT WITH 200333, 200374, 200378, 200388, 267158, 267221 AND 267222
267466-000	NEEDLE BAR CONNECTING LINK STUD WICK
272142-000	ARM SHAFT BALL BEARING (BACK)
350492-830	ARM SHAFT CONNECTION BELT PULLEY POSITION SCREW
514314-000	MACHINE PULLEY CPL. NOS. 141566, 141567 AND 272142
514051-000	ARM SHAFT CPL. NOS. 202399, 208552, 238251, 241518, 267239 AND 267247

PART NO. DESCRIPTION

PART NO. DESCRIPTION

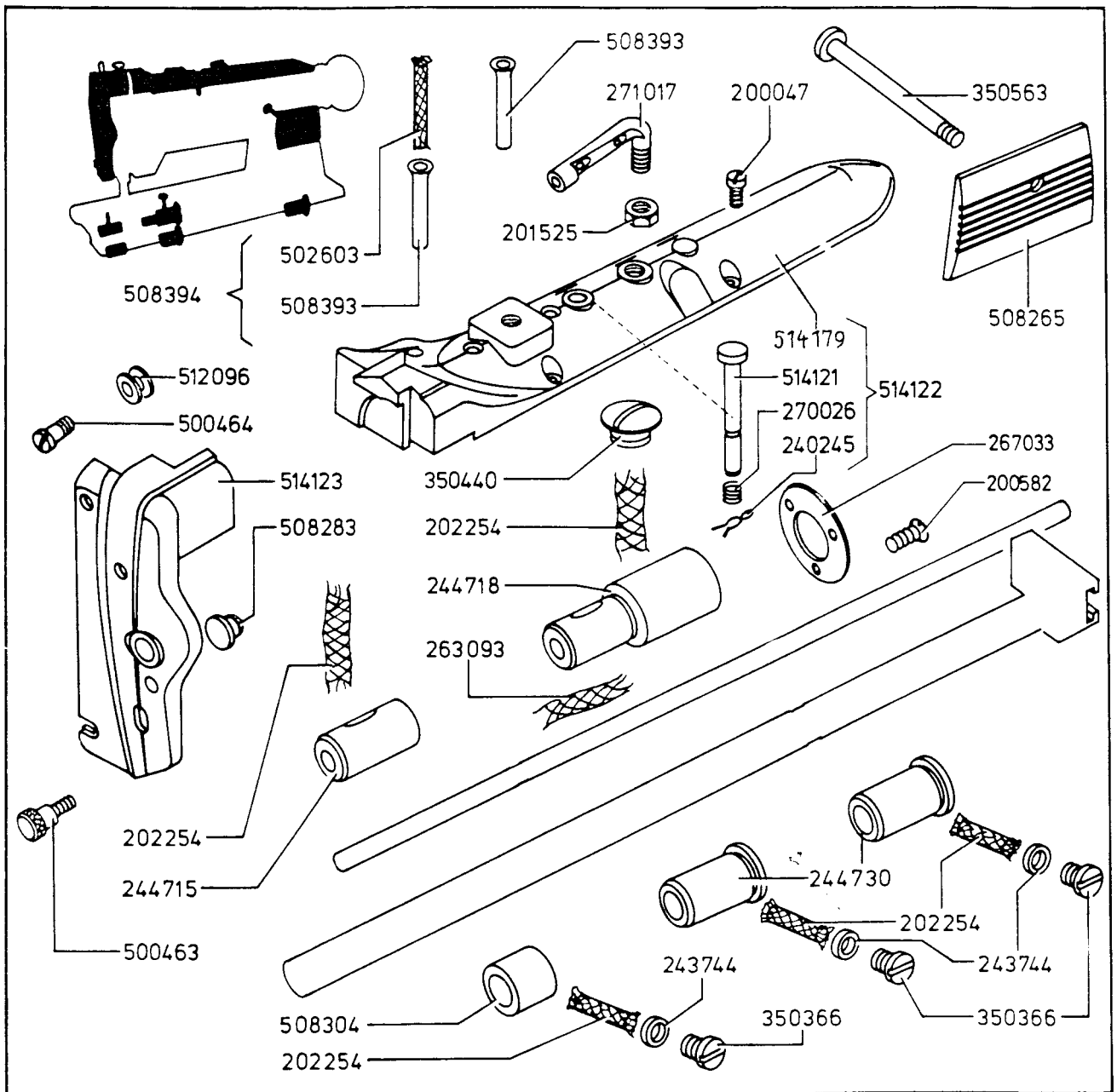


211G165-200-0870

001664-805	LIFTING BELL CRANK LINK SCREW STUD NUT	350299-803	VIBRATING PRESSER BAR THUMB SCREW (PRESSURE REGULATING)
001369-803	PRESSER BAR LIFTER BRACKET PINCH SCREW	350477-803	FEED DRIVING ECCENTRIC FRICTION PLATE SCREW SET SCREW (2)
200029-805	LIFTING ECCENTRIC CONNECTION CRANK PINCH SCREW	500280-850	LIFTING BELL CRANK CAP SCREW
200382-833	LIFTING ECCENTRIC ADJUSTING DISC SPRING COLLAR	500281-000	LIFTING BELL CRANK LINK SCREW STUD
201015-850	VIBRATING PRESSER FOOT PINCH SCREW	500221-869	LIFTING ECCENTRIC FLANGE HEXAGON SOCKET SCREW (4)
202277-000	VIBRATING PRESSER BAR WICK	500293-850	LIFTING ECCENTRIC FRICTION PLATE SCREW (2)
240174-000	LIFTING ROCK SHAFT BUSHING (2)	508254-000	LIFTING ECCENTRIC FLANGE CPL. NOS. 263567, 508293, TWO EACH 241763, 350477, 500394 AND FOUR 500321
240183-000	VIBRATING PRESSER BAR	508293-000	LIFTING ECCENTRIC CONNECTION
240184-000	VIBRATING PRESSER BAR CONNECTING LINK	51369-000	LIFTING BELL CRANK LINK
240188-000	VIBRATING PRESSER BAR EXTENSION SPRING	508264-000	LIFTING ROCK SHAFT CPL. NOS. 1664, 500281 AND 508298
240205-000	LIFTING BELL CRANK	508300-000	VIBRATING PRESSER BAR WITH BELL CRANK AND LIFTING BELL CRANK CPL. NOS. 202277, 240183, 240184, 240205 AND 508260
240518-000	VIBRATING PRESSER FOOT WITH 201015	514099-000	LIFTING ECCENTRIC FLANGE
241763-000	LIFTING ECCENTRIC FRICTION PLATE SCREW SET SCREW	508298-000	LIFTING ROCK SHAFT
244071-000	PACKING (BRASS) (2)	508300-000	PRESSER BAR LIFTER BRACKET
263567-000	LIFTING ECCENTRIC CONNECTION CRANK OIL WICK	514099-000	LIFTING ECCENTRIC CONNECTION CRANK WITH 200029 AND 244071
268064-000	LIFTING ECCENTRIC FRICTION PLATE	514111-000	VIBRATING PRESSER BAR EXTENSION
268065-000	LIFTING ECCENTRIC	517539	VIBRATING PRESSER FOOT WITH 201015 (NAIMO)
268066-000	FEED DRIVING ECCENTRIC ADJUSTING DISC		
268067-000	FEED DRIVING ECCENTRIC ADJUSTING DISC SPRING		
	LIFTING ECCENTRIC ADJUSTING DISC SPRING COLLAR WITH TWO 200282		

PART NO. DESCRIPTION

PART NO. DESCRIPTION



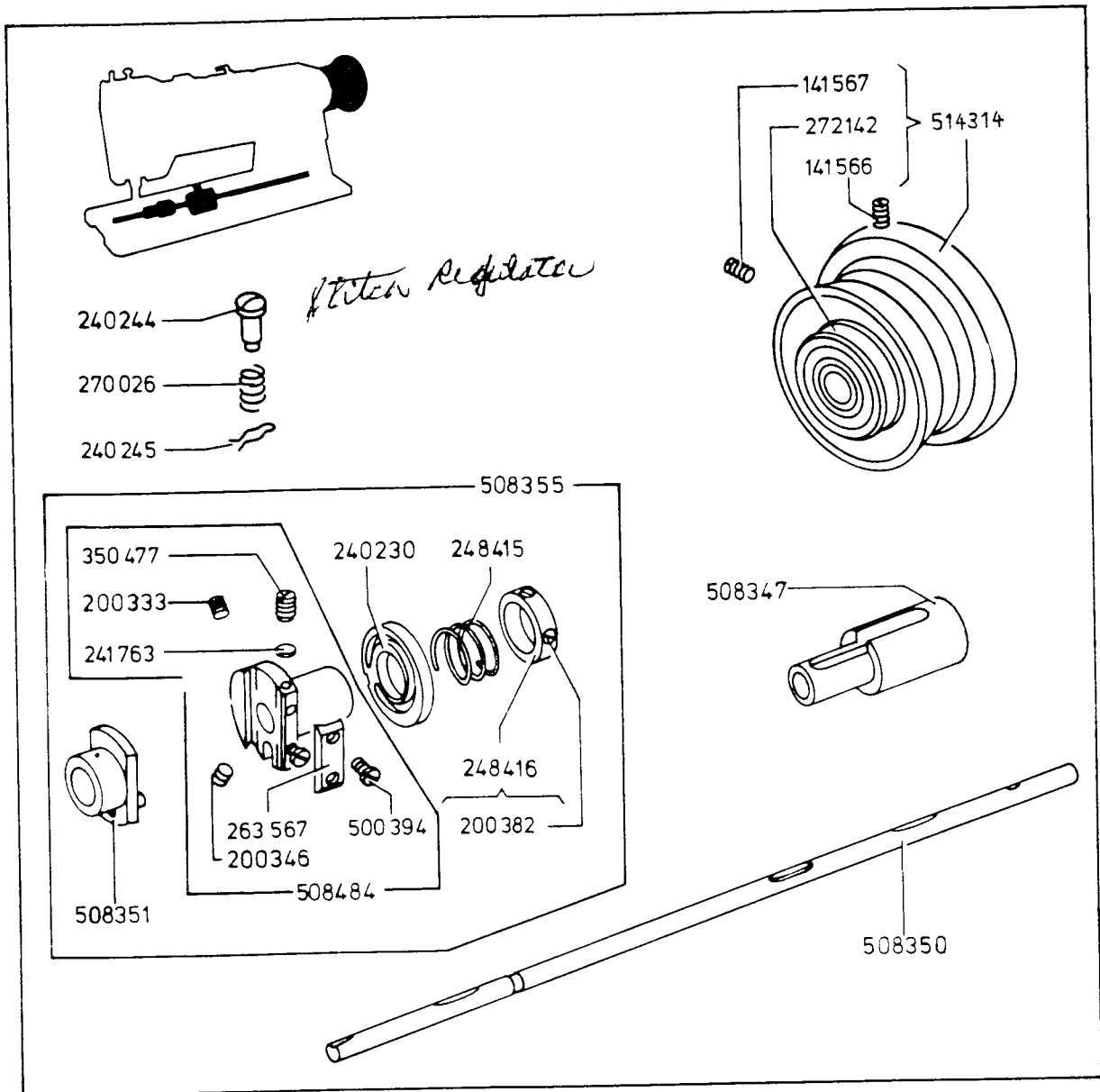
From the library of: Diamond Needle Corp

211G155-900-108701

200047-850	ARM COVER (TOP) SCREW (6)	350440-819	BED OIL SCREW
200582-850	FEED DRIVING ECCENTRIC CONNECTION FRICTION WASHER SCREW (3)	350563-805	ARM COVER (SIDE) SCREW
201525-805	THREAD GUIDE (TOP OF ARM) LOCK NUT	500463	FACE PLATE CLAMPING SCREW
202254	BED OIL WICK (5)	500464	FACE PLATE HINGE SCREW
240245	UPPER FEED REGULATING RETAINING SPRING	502603	ARM COVER (TOP) OIL TUBE WICK
243744	BED OIL STOP SCREW GASKET (3)	508265	ARM COVER (SIDE)
244715	HOOK DRIVING SHAFT BUSHING (LEFT)	514-179	ARM COVER (TOP)
244718	HOOK SADDLE BEARING (RIGHT)	508283	FACE PLATE PLUG
244730	FEED DRIVING ROCK SHAFT BUSHING (CENTER AND BACK) (2)	508304	FEED DRIVING ROCK SHAFT BUSHING (FRONT)
263093	BED OIL WICK	508393	ARM COVER (TOP) OIL TUBE (2)
267033	FEED DRIVING ECCENTRIC CONNECTION FRICTION WASHER	508394	ARM COVER (TOP) OIL TUBE WITH 502603 AND 508393
270026	UPPER FEED REGULATING SPRING	512096	FACE PLATE HINGE SCREW SPRING WASHER (2)
271017	THREAD GUIDE (TOP OF ARM)	514121	UPPER FEED REGULATING STUD
350366-819	BED OIL STOP SCREW (3)	514122	ARM COVER (TOP) CPL. NOS. 240245, 270026, 514-179 AND 514121.
		514123	FACE PLATE

PART NO. DESCRIPTION

PART NO. DESCRIPTION



PARTS FOR MACHINE 211 G 166, 266

211 G 166, 266 - 910(1170)

141566-833
141567-833
200333-833
200346-803
200382-833

240230
240244
240245
241763

248415
248416
263567

MACHINE PULLEY POSITION SCREW
MACHINE PULLEY SET SCREW
FEED DRIVING FLANGE POSITION SCREW
FEED DRIVING FLANGE SET SCREW
FEED DRIVING ECCENTRIC ADJUSTING DISC
SPRING COLLAR SET SCREW (2)
FEED DRIVING ECCENTRIC ADJUSTING DISC
FEED REGULATING STUD
FEED REGULATING STUD RETAINING SPRING
FEED DRIVING ECCENTRIC FRICTION PLATE SCREW
SET SCREW PACKING (BRASS) (2)
FEED DRIVING ECCENTRIC ADJUSTING DISC SPRING
FEED DRIVING ECCENTRIC ADJUSTING DISC SPRING
COLLAR WITH TWO 200382
FEED DRIVING ECCENTRIC FRICTION PLATE

270026
272142
350477-803

500394-850

508347
508350
508351
508355

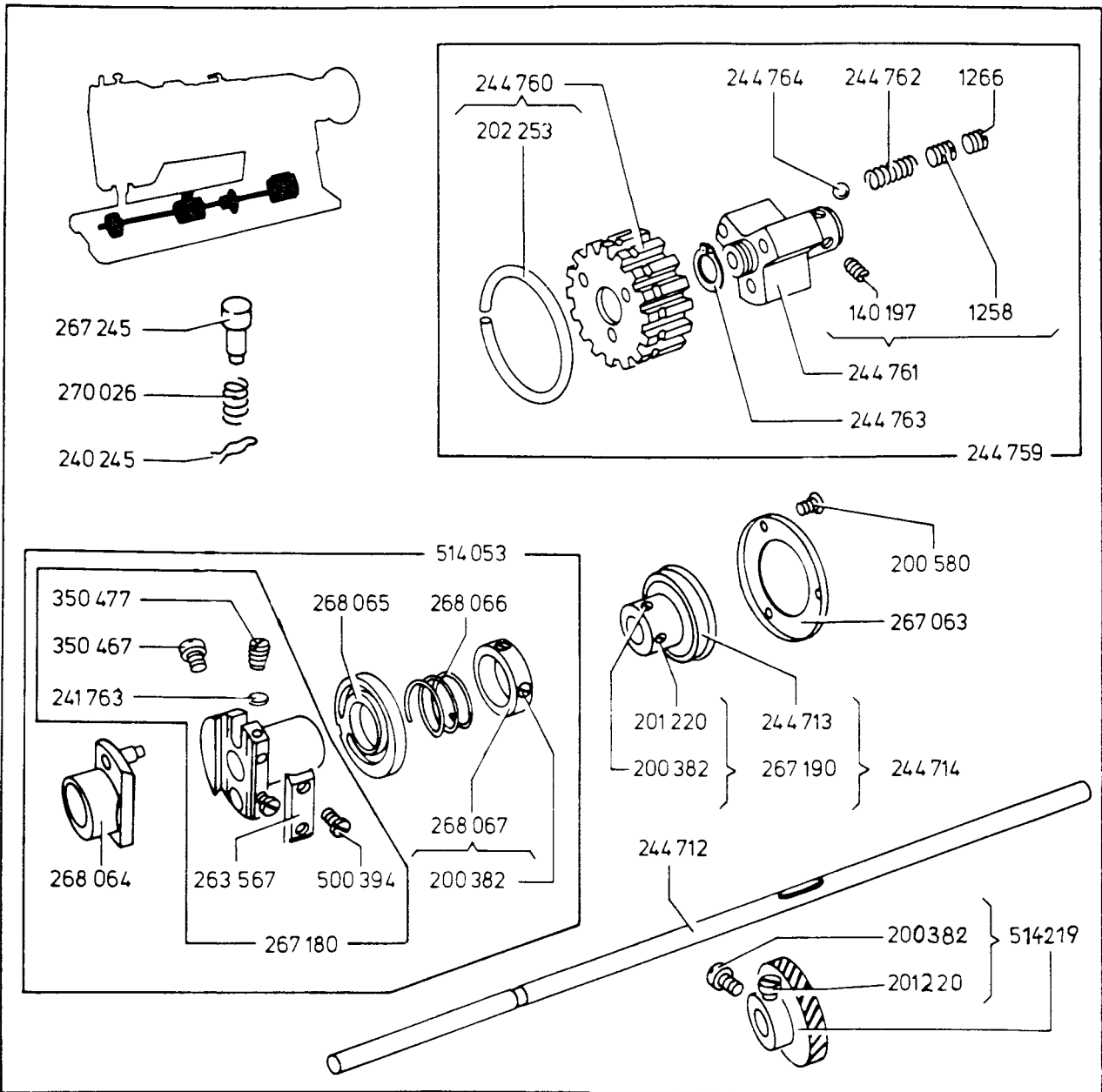
508484

514314

FEED REGULATING STUD SPRING
ARM SHAFT BALL BEARING (BACK)
FEED DRIVING ECCENTRIC FRICTION PLATE
SCREW SET SCREW (2)
FEED DRIVING ECCENTRIC FRICTION PLATE
SCREW (2)
HOOK SADDLE GEARING (RIGHT)
HOOK DRIVING SHAFT
FEED DRIVING ECCENTRIC
FEED DRIVING ECCENTRIC CPL. NOS. 240230, 248415,
248416, 267180 AND 508351
FEED DRIVING FLANGE WITH 200333, 200346, 263567
AND TWO EACH 241763, 350477 AND 500394
MACHINE PULLEY CPL. NOS. 141566, 141567 AND
272142

PART NO. DESCRIPTION

PART NO. DESCRIPTION



From the library of: Diamond Needle Corp

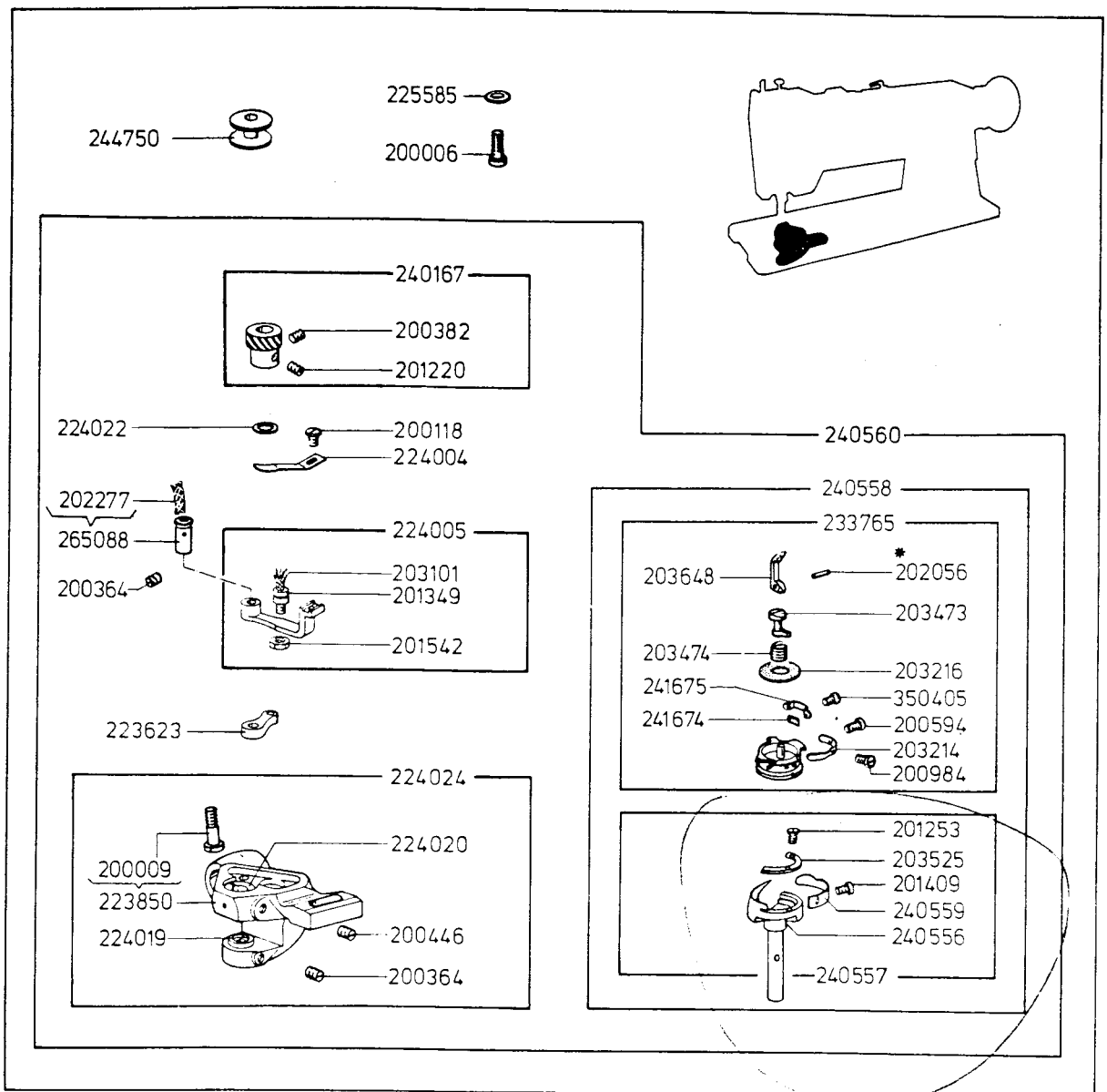
211G165-50G-10870

001258-830	SAFETY CLUTCH OVER LOAD PULLEY ADJUSTING SCREW (3)
001266-833	SAFETY CLUTCH OVER LOAD PULLEY ADJUSTING SCREW LOCK SCREW (3)
140197-830	SAFETY CLUTCH OVER LOAD PULLEY SET SCREW (2)
200382-833	HOOK DRIVING PINION SET SCREW
200382-833	FEED DRIVING ECCENTRIC ADJUSTING DISC SPRING COLLAR SET SCREW (2)
200580-819	HOOK DRIVING SHAFT BALL BEARING RETAINING WASHER SCREW (3)
201220-833	HOOK DRIVING PINION POSITION SCREW
200382-830	HOOK DRIVING GEAR SET SCREW
201210-803	HOOK DRIVING GEAR POSITION SCREW
202253	SAFETY CLUTCH BELT PULLEY SPRING FLANGE
240245	FEED REGULATING STUD RETAINING SPRING
241763	FEED DRIVING ECCENTRIC FRICTION PLATE SCREW SET SCREW PACKING (brass) (2)
244712	HOOK DRIVING SHAFT
244713	HOOK DRIVING SHAFT BALL BEARING
244714	HOOK DRIVING SHAFT BALL BEARING COLLAR CPL. NOS. 244713 AND 267190
244759	SAFETY CLUTCH CPL. NOS. 244760, 244761, 244763 AND THREE EACH 1266, 244762 AND 244764
244760	SAFETY CLUTCH BELT PULLEY WITH 202253
244761	SAFETY CLUTCH OVER LOAD PULLEY WITH TWO 140197 AND THREE 1258

244762	SAFETY CLUTCH DRIVING BALL SPRING (3)
244763	SAFETY CLUTCH OVER LOAD PULLEY RETAINING RING
244764	SAFETY CLUTCH DRIVING BALL 7/32 in. DIAMETER (3)
263567	FEED DRIVING ECCENTRIC FRICTION PLATE
267063	HOOK DRIVING SHAFT BALL BEARING RETAINING WASHER
267180	FEED DRIVING FLANGE WITH 263567 AND TWO EACH 350467, 350477, 241763 AND 500394
267190	HOOK DRIVING SHAFT BALL BEARING COLLAR WITH 200382 AND 201220
267245	FEED REGULATING STUD
268064	FEED DRIVING ECCENTRIC
268065	FEED DRIVING ECCENTRIC ADJUSTING DISC
268066	FEED DRIVING ECCENTRIC ADJUSTING DISC SPRING
268067	FEED DRIVING ECCENTRIC ADJUSTING DISC SPRING COLLAR WITH TWO 200382
270026	FEED REGULATING STUD SPRING
350467-803	FEED DRIVING FLANGE SET SCREW (2)
350477-803	FEED DRIVING ECCENTRIC FRICTION PLATE SCREW SET SCREW (2)
500394-850	FEED DRIVING ECCENTRIC FRICTION PLATE SCREW (2)
514219	HOOK DRIVING GEAR WITH 201254 AND 201421
514053	FEED DRIVING ECCENTRIC CPL. NOS. 267180, 268064, 268065, 268066 AND 268067

PART NO. DESCRIPTION

PART NO. DESCRIPTION



PARTS MARKED WITH AN ASTERISK (*) ARE FURNISHED ONLY WHEN REPAIRS ARE MADE AT THE FACTORY.

211G165-000-0870

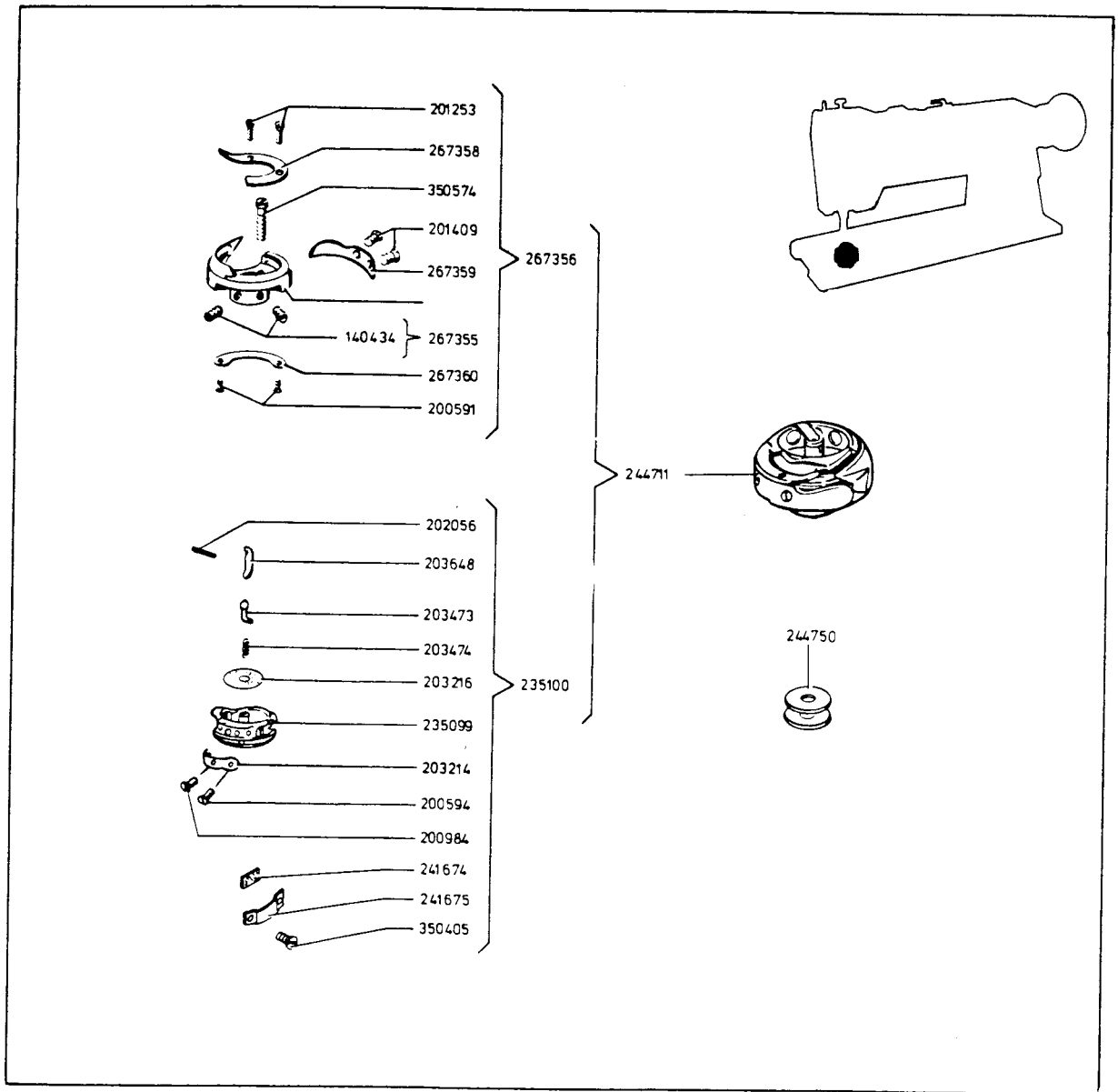
200006-805	HOOK SADDLE SCREW
200009-805	HOOK SADDLE PINCH SCREW
200118-804	BOBBIN CASE OPENER SCREW
200364-830	HOOK BUSHING (LOWER) SET SCREW
200364-830	BOBBIN CASE OPENER LEVER HINGE STUD SET SCREW
200382-833	HOOK DRIVING PINION SET SCREW
200446-803	HOOK BUSHING (UPPER) POSITION SCREW
200594-805	BOBBIN CASE TENSION SPRING SCREW
200984-830	BOBBIN CASE TENSION SPRING REGULATING SCREW
201220-833	HOOK DRIVING PINION POSITION SCREW
201253-806	HOOK GIB SCREW (2)
201349-803	BOBBIN CASE OPENER LEVER DRIVING SCREW STUD
201409-806	HOOK NEEDLE GUARD SCREW (2)
201542-803	BOBBIN CASE OPENER LEVER DRIVING SCREW STUD NUT
202056-000	BOBBIN CASE LATCH PIN
202277-000	HINGE STUD OIL PACKING WICK
203101-000	BOBBIN CASE OPENER LEVER DRIVING SCREW STUD NUT OIL PACKING WICK
203214-000	BOBBIN CASE TENSION SPRING
203216-000	BOBBIN CASE WASHER
203473-000	BOBBIN CASE LATCH PLUNGER
203474-000	BOBBIN CASE LATCH SPRING
203525-000	HOOK GIB
203648-000	BOBBIN CASE LATCH
223623-000	BOBBIN CASE OPENER LEVER LINK
223850-000	HOOK SADDLE WITH 200009

224004-000	BOBBIN CASE OPENER
224005-000	BOBBIN CASE OPENER LEVER WITH 201349, 201542 AND 203101.
224019	HOOK BUSHING (LOWER)
224020	HOOK BUSHING (UPPER)
224022-000	HOOK DRIVING PINION THRUST WASHER
224024-000	HOOK SADDLE CPL. NOS. 200364, 200446, 223850, 224019 AND 224020.
225585-000	HOOK SADDLE SCREW WASHER
233765-000	BOBBIN CASE CPL. NOS. 200594, 200984, 202056, 203214, 203216, 203473, 203474, 203648, 241674, 241675 AND TWO 350405
240167-000	HOOK DRIVING PINION WITH 200382 AND 201220
240556-000	HOOK WASHER
240557-000	HOOK CPL. NOS. 203525, 240556, 240559, TWO EACH 201253 AND 201409
240558-000	HOOK AND BOBBIN CASE CPL. NOS. 233765 AND 240557
240559-000	HOOK NEEDLE GUARD
240560-000	HOOK SADDLE CPL. NOS. 200118, 200364, 223623, 224004, 224005, 224022, 224024, 240167, 240558 AND 265088.
241674-000	BOBBIN CASE CILING FELT
241675-000	BOBBIN CASE CILING FELT RETAINER
244750-000	BOBBIN (3)
265088-000	BOBBIN CASE OPENER LEVER HINGE STUD WITH 202277
350405-803	BOBBIN CASE CILING FELT RETAINER SCREW (2)

PART NO. DESCRIPTION

PART NO. DESCRIPTION

1	0-514227-000	HOOK SADDLE CPL.NOS. 200061, 200089 , 200135, 200374, 200378, 200388, 244084, 244704, 267053, 267166, 267167, 267200, 267212, 267365, 350564, 500246, 514164, 514168, 514171, 514173, 514174, 514213 AND 514218
2	0-514164-000	HOOK SADDLE (RIGHT) CPL. NOS.200185, 267370, 267371, 512727, 514165, 514166 AND 514215
3	0-200185-850	HOOK SADDLE OIL STOP SCREW
4	0-267370-000	BOBBIN CASE OPENER DRIVING CAM SHAFT BUSHING (LOWER)
5	0-267371-000	BOBBIN CASE OPENER DRIVING CAM SHAFT BUSHING (UPPER)
6	0-512727-000	HOOK SADDLE (RIGHT) OIL WICK
7	0-514165-000	HOOK SADDLE(RIGHT) FOAM CUSHION
8	0-514166-000	HOOK SHAFT BUSHING
9	0-514215-000	HOOK SADDLE OIL GAUGE SLEEVE WITH 267277
10	0-267277-000	HOOK SADDLE OIL STRAINER
11	0-350564-805	HOOK SADDLE OIL REGULATING SCREW
12	0-244084-000	FEED DRIVING ROCK SHAFT BUSHING
13	0-200378-850	HOOK SADDLE OIL REGULATING SCREW CHECK SCREW
14	0-500246-850	HOOK SADDLE COVER PLATE SCREW (4)
15	0-514171-000	HOOK SADDLE COVER PLATE (RIGHT)
16	0-200374-833	BOBBIN CASE OPENER CRANK
17	0-200388-850	BOBBIN CASE OPENER CRANK HINGE STUD
18	0-267212-000	HOOK SADDLE OIL RESERVOIR GASKET
19	0-267200-000	HOOK SADDLE OIL RESERVOIR (RIGHT)
20	0-200061-833	HOOK SADDLE OIL RESERVOIR SCREW
21	0-514174-000	HOOK SHAFT CPL.NOS. 270880 AND 267061
22	0-270880-000	HOOK SHAFT OIL WICK
23	0-267061-000	HOOK SHAFT OIL WICK HOLDER
24	0-200089-850	HOOK BALL BEARING SCREW (2)
25	0-267053-000	HOOK BALL BEARING
26	0-514173-000	HOOK BALL BEARING RETAINER (2)
27	0-512077-000	HOOK SADDLE OIL GAUGE PIN
28	0-514168-000	HOOK SADDLE OIL GAUGE WITH 271808
29	0-271808-000	HOOK SADDLE OIL GAUGE SEAL
30	0-200135-850	BOBBIN CASE OPENER LINK CAP SCREW (2)
31	0-267166-000	BOBBIN CASE OPENR CRANK
32	0-200135-850	BOBBIN CASE OPENER LINK CAP SCREW (2)
33	0-514213-000	BOBBIN CASE OPENER LINK (RIGHT)
34	0-267167-000	BOBBIN CASE OPENER CRANK HINGE STUD (RIGHT)
35	0-244704-000	BOBBIN CASE OPENER CAM SHAFT
36	0-267365-000	BOBBIN CASE OPENER DRIVING CAM SHAFT GEAR (SIRAL) WITH TWO 350595
37	0-350595-869	BOBBIN CASE OPENER DRIVING CAM SHAFT GEAR SET SCREW (2)
38	0-514218-000	HOOK DRIVING PINION (SPIRAL) WITH TWO 350595
39	0-350595-869	BOBBIN CASE OPENER DRIVING CAM SHAFT GEAR SET SCREW (2)
40	0-267140-000	PINCH SLEEVE (UPPER)
41	0-267139-000	PINCH SLEEVE(LOWER)
42	0-200001-000	SCREW
43	0-225585-000	WASHER
44	0-200006-000	HOOK SADDLE SCREW



From the library of: Diamond Needle Corp

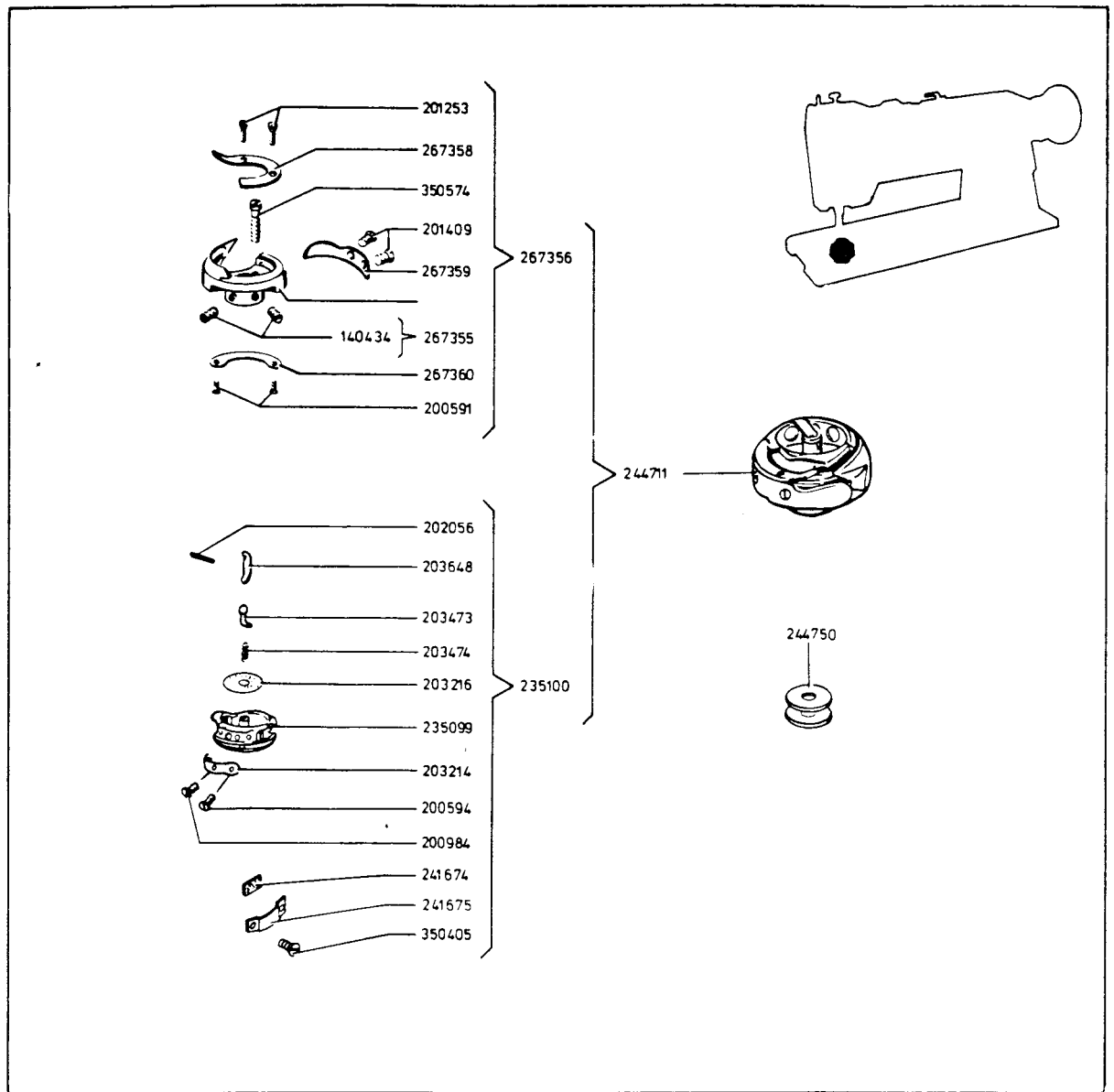
140434-869 HOOK SET SCREW (2)
 200591-850 THREAD GUARD SCREW (2)
 200594-805 BOBBIN CASE TENSION SPRING SCREW
 200984-830 BOBBIN CASE TENSION SPRING REGULATING SCREW
 201253-833 HOOK GIB SCREW (2)
 201409-850 HOOK NEEDLE GUARD SCREW (2)
 202056 BOBBIN CASE LATCH PIN
 203214 BOBBIN CASE TENSION SPRING
 203216 BOBBIN CASE WASHER (CLOTH)
 203473 BOBBIN CASE LATCH PLUNGER
 203474 BOBBIN CASE LATCH SPRING
 203648 BOBBIN CASE LATCH
 235099 BOBBIN CASE

235100 BOBBIN CASE CPL. NOS: 200594, 200984, 202056, 203214, 203216,
 203473, 203474, 203648, 235099, 241674, 241675 AND TWO 350405
 241674 BOBBIN CASE OILING FELT
 241675 BOBBIN CASE OILING FELT RETAINER
 244711 HOOK AND BOBBIN CASE CPL. NOS. 235100 AND 267356
 244750 BOBBIN
 267355 HOOK (SEWING) WITH TWO 140434
 267356 HOOK CPL. NOS. 267355, 267359, 267360, 350574,
 TWO 200591, TWO 201253 AND TWO 201409
 267359 HOOK NEEDLE GUARD
 267360 HOOK THREAD GUARD
 350405-850 BOBBIN CASE OILING FELT RETAINER SCREW (2)
 350574-806 HOOK HEIGHT ADJUSTING SCREW

PART NO. DESCRIPTION

PART NO. DESCRIPTION

1	0-514227-000	HOOK SADDLE CPL.NOS. 200061, 200089, 200135, 200374, 200378, 200388, 244084, 244704, 267053, 267166, 267167, 267200, 267212, 267365, 350564, 500246, 514164, 514168, 514171, 514173, 514174, 514213 AND 514218
2	0-514164-000	HOOK SADDLE (RIGHT) CPL. NOS. 200185, 267370, 267371, 512727, 514165, 514166 AND 514215
3	0-200185-850	HOOK SADDLE OIL STOP SCREW
4	0-267370-000	BOBBIN CASE OPENER DRIVING CAM SHAFT BUSHING (LOWER)
5	0-267371-000	BOBBIN CASE OPENER DRIVING CAM SHAFT BUSHING (UPPER)
6	0-512727-000	HOOK SADDLE (RIGHT) OIL WICK
7	0-514165-000	HOOK SADDLE(RIGHT) FOAM CUSHION
8	0-514166-000	HOOK SHAFT BUSHING
9	0-514215-000	HOOK SADDLE OIL GAUGE SLEEVE WITH 267277
10	0-267277-000	HOOK SADDLE OIL STRAINER
11	0-350564-805	HOOK SADDLE OIL REGULATING SCREW
12	0-244084-000	FEED DRIVING ROCK SHAFT BUSHING
13	0-200378-850	HOOK SADDLE OIL REGULATING SCREW CHECK SCREW
14	0-500246-850	HOOK SADDLE COVER PLATE SCREW (4)
15	0-514171-000	HOOK SADDLE COVER PLATE (RIGHT)
16	0-200374-833	BOBBIN CASE OPENER CRANK
17	0-200388-850	BOBBIN CASE OPENER CRANK HINGE STUD
18	0-267212-000	HOOK SADDLE OIL RESERVOIR GASKET
19	0-267200-000	HOOK SADDLE OIL RESERVOIR (RIGHT)
20	0-200061-833	HOOK SADDLE OIL RESERVOIR SCREW
21	0-514174-000	HOOK SHAFT CPL.NOS. 270880 AND 267061
22	0-270880-000	HOOK SHAFT OIL WICK
23	0-267061-000	HOOK SHAFT OIL WICK HOLDER
24	0-200089-850	HOOK BALL BEARING SCREW (2)
25	0-267053-000	HOOK BALL BEARING
26	0-514173-000	HOOK BALL BEARING RETAINER (2)
27	0-512077-000	HOOK SADDLE OIL GAUGE PIN
28	0-514168-000	HOOK SADDLE OIL GAUGE WITH 271808
29	0-271808-000	HOOK SADDLE OIL GAUGE SEAL
30	0-200135-850	BOBBIN CASE OPENER LINK CAP SCREW (2)
31	0-267166-000	BOBBIN CASE OPENER CRANK
32	0-200135-850	BOBBIN CASE OPENER LINK CAP SCREW (2)
33	0-514213-000	BOBBIN CASE OPENER LINK (RIGHT)
34	0-267167-000	BOBBIN CASE OPENER CRANK HINGE STUD (RIGHT)
35	0-244704-000	BOBBIN CASE OPENER CAM SHAFT
36	0-267365-000	BOBBIN CASE OPENER DRIVING CAM SHAFT GEAR (SIRAL) WITH TWO 350595
37	0-350595-869	BOBBIN CASE OPENER DRIVING CAM SHAFT GEAR SET SCREW (2)
38	0-514218-000	HOOK DRIVING PINION (SPIRAL) WITH TWO 350595
39	0-350595-869	BOBBIN CASE OPENER DRIVING CAM SHAFT GEAR SET SCREW (2)
40	0-267140-000	PINCH SLEEVE (UPPER)
41	0-267139-000	PINCH SLEEVE(LOWER)
42	0-200001-000	SCREW
43	0-225585-000	WASHER
44	0-200006-000	HOOK SADDLE SCREW



From the library of: Diamond Needle Corp

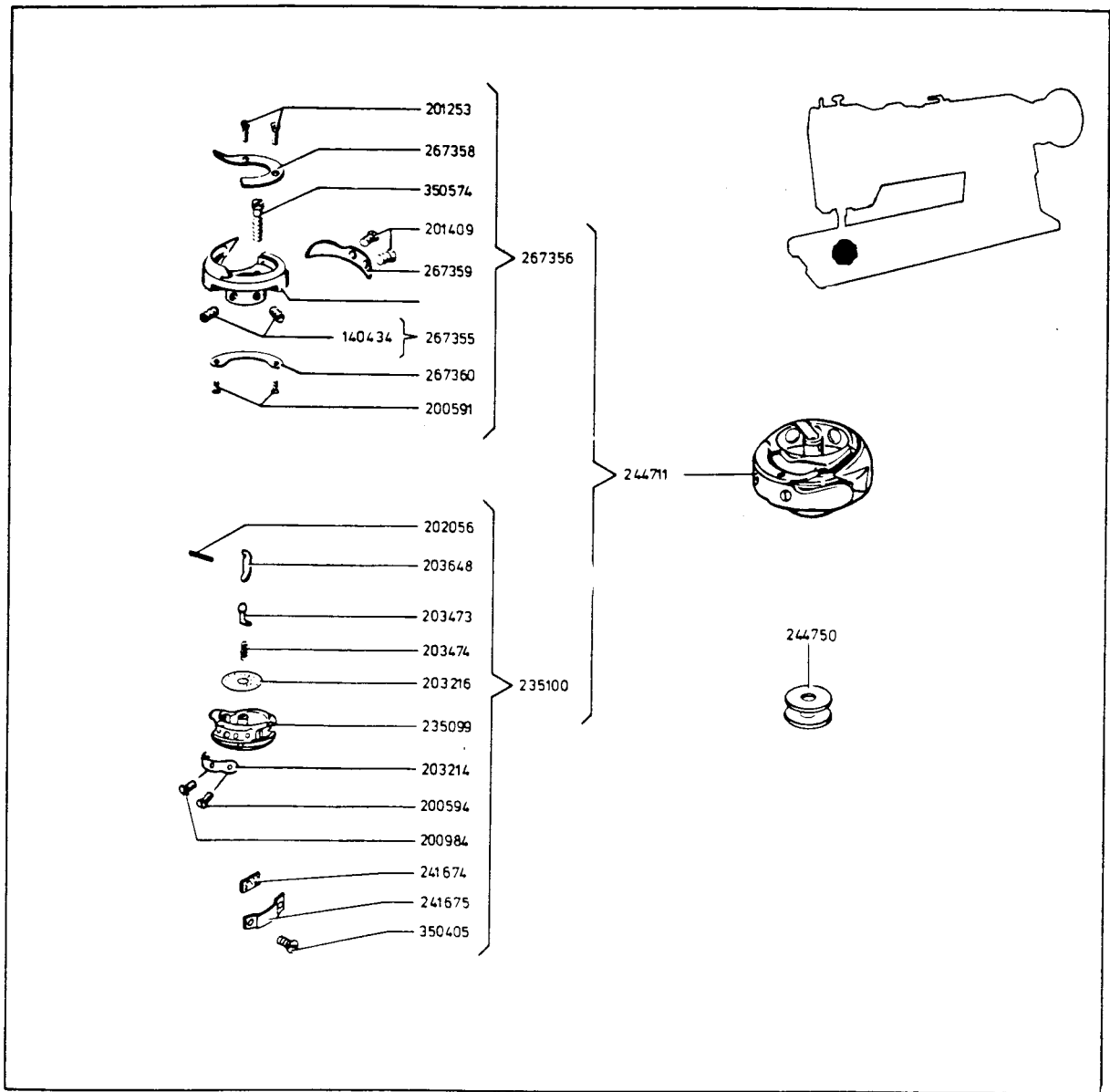
140434-869	HOOK SET SCREW (2)
200591-850	THREAD GUARD SCREW (2)
200594-805	BOBBIN CASE TENSION SPRING SCREW
200984-830	BOBBIN CASE TENSION SPRING REGULATING SCREW
201253-833	HOOK GIB SCREW (2)
201409-850	HOOK NEEDLE GUARD SCREW (2)
202056	BOBBIN CASE LATCH PIN
203214	BOBBIN CASE TENSION SPRING
203216	BOBBIN CASE WASHER (CLOTH)
203473	BOBBIN CASE LATCH PLUNGER
203474	BOBBIN CASE LATCH SPRING
203648	BOBBIN CASE LATCH
235099	BOBBIN CASE

235100	BOBBIN CASE CPL. NOS! 200594, 200984, 202056, 203214, 203216, 203473, 203474, 203648, 235099, 241674, 241675 AND TWO 350405
241674	BOBBIN CASE OILING FELT
241675	BOBBIN CASE OILING FELT RETAINER
244711	HOOK AND BOBBIN CASE CPL. NOS. 235100 AND 267356
244750	BOBBIN
267355	HOOK (SEWING) WITH TWO 140434
267356	HOOK CPL. NOS. 267355, 267358, 267359, 267360, 350574, TWO 200591, TWO 201253 AND TWO 201409
267359	HOOK NEEDLE GUARD
267360	HOOK THREAD GUARD
350405-850	BOBBIN CASE OILING FELT RETAINER SCREW (2)
350574-806	HOOK HEIGHT ADJUSTING SCREW

PART NO. DESCRIPTION

PART NO. DESCRIPTION

1	0-514227-000	HOOK SADDLE CPL.NOS. 200061, 200089 , 200135, 200374, 200378, 200388, 244084, 244704, 267053, 267166, 267167, 267200, 267212, 267365, 350564, 500246, 514164, 514168, 514171, 514173, 514174, 514213 AND 514218
2	0-514164-000	HOOK SADDLE (RIGHT) CPL. NOS. 200185, 267370, 267371, 512727, 514165, 514166 AND 514215
3	0-200185-850	HOOK SADDLE OIL STOP SCREW
4	0-267370-000	BOBBIN CASE OPENER DRIVING CAM SHAFT BUSHING (LOWER)
5	0-267371-000	BOBBIN CASE OPENER DRIVING CAM SHAFT BUSHING (UPPER)
6	0-512727-000	HOOK SADDLE (RIGHT) OIL WICK
7	0-514165-000	HOOK SADDLE(RIGHT) FOAM CUSHION
8	0-514166-000	HOOK SHAFT BUSHING
9	0-514215-000	HOOK SADDLE OIL GAUGE SLEEVE WITH 267277
10	0-267277-000	HOOK SADDLE OIL STRAINER
11	0-350564-805	HOOK SADDLE OIL REGULATING SCREW
12	0-244084-000	FEED DRIVING ROCK SHAFT BUSHING
13	0-200378-850	HOOK SADDLE OIL REGULATING SCREW CHECK SCREW
14	0-500246-850	HOOK SADDLE COVER PLATE SCREW (4)
15	0-514171-000	HOOK SADDLE COVER PLATE (RIGHT)
16	0-200374-833	BOBBIN CASE OPENER CRANK
17	0-200388-850	BOBBIN CASE OPENER CRANK HINGE STUD
18	0-267212-000	HOOK SADDLE OIL RESERVOIR GASKET
19	0-267200-000	HOOK SADDLE OIL RESERVOIR (RIGHT)
20	0-200061-833	HOOK SADDLE OIL RESERVOIR SCREW
21	0-514174-000	HOOK SHAFT CPL.NOS. 270880 AND 267061
22	0-270880-000	HOOK SHAFT OIL WICK
23	0-267061-000	HOOK SHAFT OIL WICK HOLDER
24	0-200089-850	HOOK BALL BEARING SCREW (2)
25	0-267053-000	HOOK BALL BEARING
26	0-514173-000	HOOK BALL BEARING RETAINER (2)
27	0-512077-000	HOOK SADDLE OIL GAUGE PIN
28	0-514168-000	HOOK SADDLE OIL GAUGE WITH 271808
29	0-271808-000	HOOK SADDLE OIL GAUGE SEAL
30	0-200135-850	BOBBIN CASE OPENER LINK CAP SCREW (2)
31	0-267166-000	BOBBIN CASE OPENR CRANK
32	0-200135-850	BOBBIN CASE OPENER LINK CAP SCREW (2)
33	0-514213-000	BOBBIN CASE OPENER LINK (RIGHT)
34	0-267167-000	BOBBIN CASE OPENER CRANK HINGE STUD (RIGHT)
35	0-244704-000	BOBBIN CASE OPENER CAM SHAFT
36	0-267365-000	BOBBIN CASE OPENER DRIVING CAM SHAFT GEAR (SIRAL) WITH TWO 350595
37	0-350595-869	BOBBIN CASE OPENER DRIVING CAM SHAFT GEAR SET SCREW (2)
38	0-514218-000	HOOK DRIVING PINION (SPIRAL) WITH TWO 350595
39	0-350595-869	BOBBIN CASE OPENER DRIVING CAM SHAFT GEAR SET SCREW (2)
40	0-267140-000	PINCH SLEEVE (UPPER)
41	0-267139-000	PINCH SLEEVE(LOWER)
42	0-200001-000	SCREW
43	0-225585-000	WASHER
44	0-200006-000	HOOK SADDLE SCREW

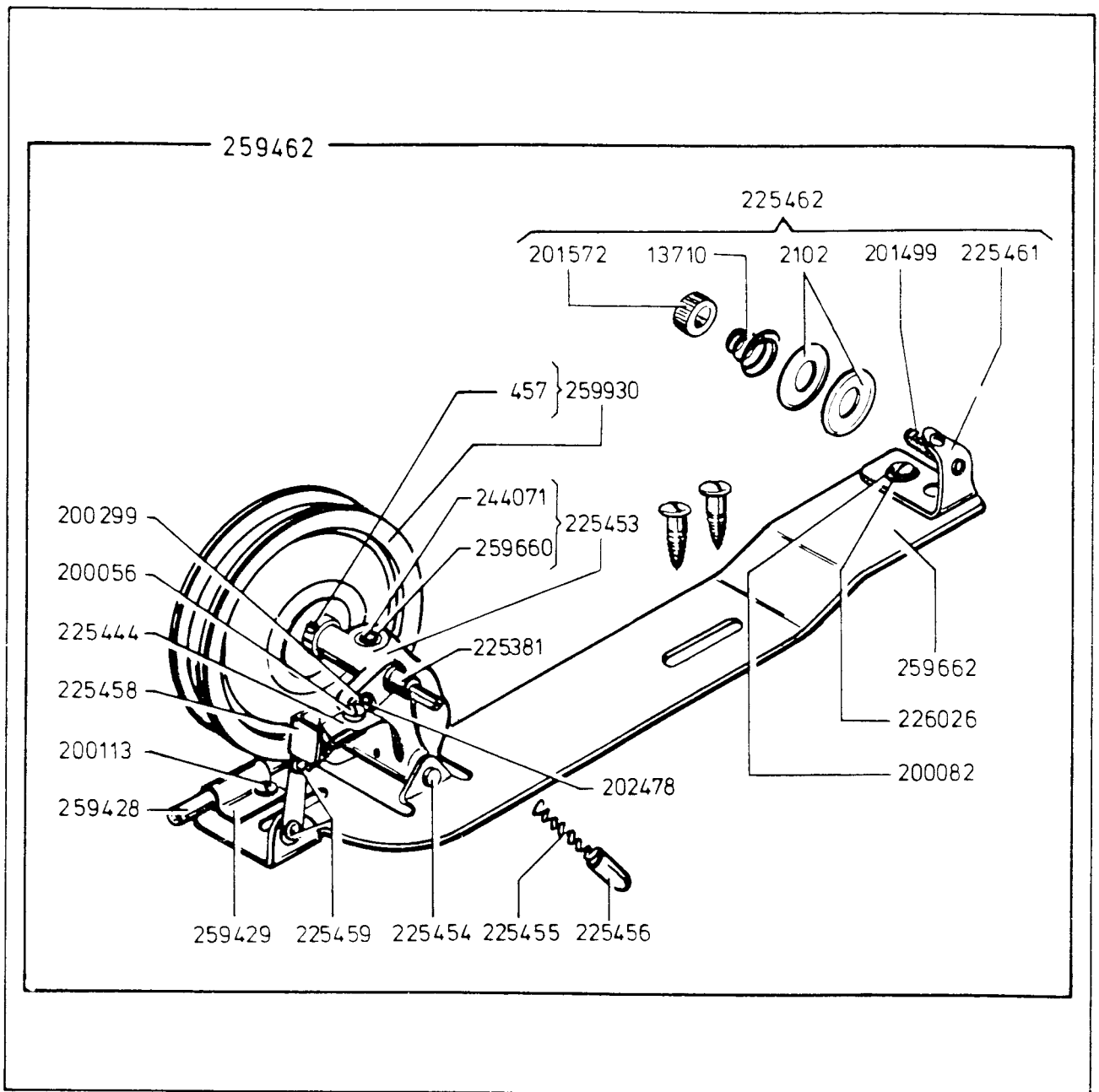


140434-869	HOOK SET SCREW (2)
200591-850	THREAD GUARD SCREW (2)
200594-805	BOBBIN CASE TENSION SPRING SCREW
200984-830	BOBBIN CASE TENSION SPRING REGULATING SCREW
201253-833	HOOK GIB SCREW (2)
201409-850	HOOK NEEDLE GUARD SCREW (2)
202056	BOBBIN CASE LATCH PIN
203214	BOBBIN CASE TENSION SPRING
203216	BOBBIN CASE WASHER (CLOTH)
203473	BOBBIN CASE LATCH PLUNGER
203474	BOBBIN CASE LATCH SPRING
203648	BOBBIN CASE LATCH
235099	BOBBIN CASE

235100	BOBBIN CASE CPL. NOS. 200594, 200984, 202056, 203214, 203216, 203473, 203474, 203648, 235099, 241674, 241675 AND TWO 350405
241674	BOBBIN CASE OILING FELT
241675	BOBBIN CASE OILING FELT RETAINER
244711	HOOK AND BOBBIN CASE CPL. NOS. 235100 AND 267356
244750	BOBBIN
267355	HOOK (SEWING) WITH TWO 140434
267356	HOOK CPL. NOS. 267355, 267358, 267359, 267360, 350574, TWO 200591, TWO 201253 AND TWO 201409
267359	HOOK NEEDLE GUARD
267360	HOOK THREAD GUARD
350405-850	BOBBIN CASE OILING FELT RETAINER SCREW (2)
350574-806	HOOK HEIGHT ADJUSTING SCREW

PART NO. DESCRIPTION

PART NO. DESCRIPTION



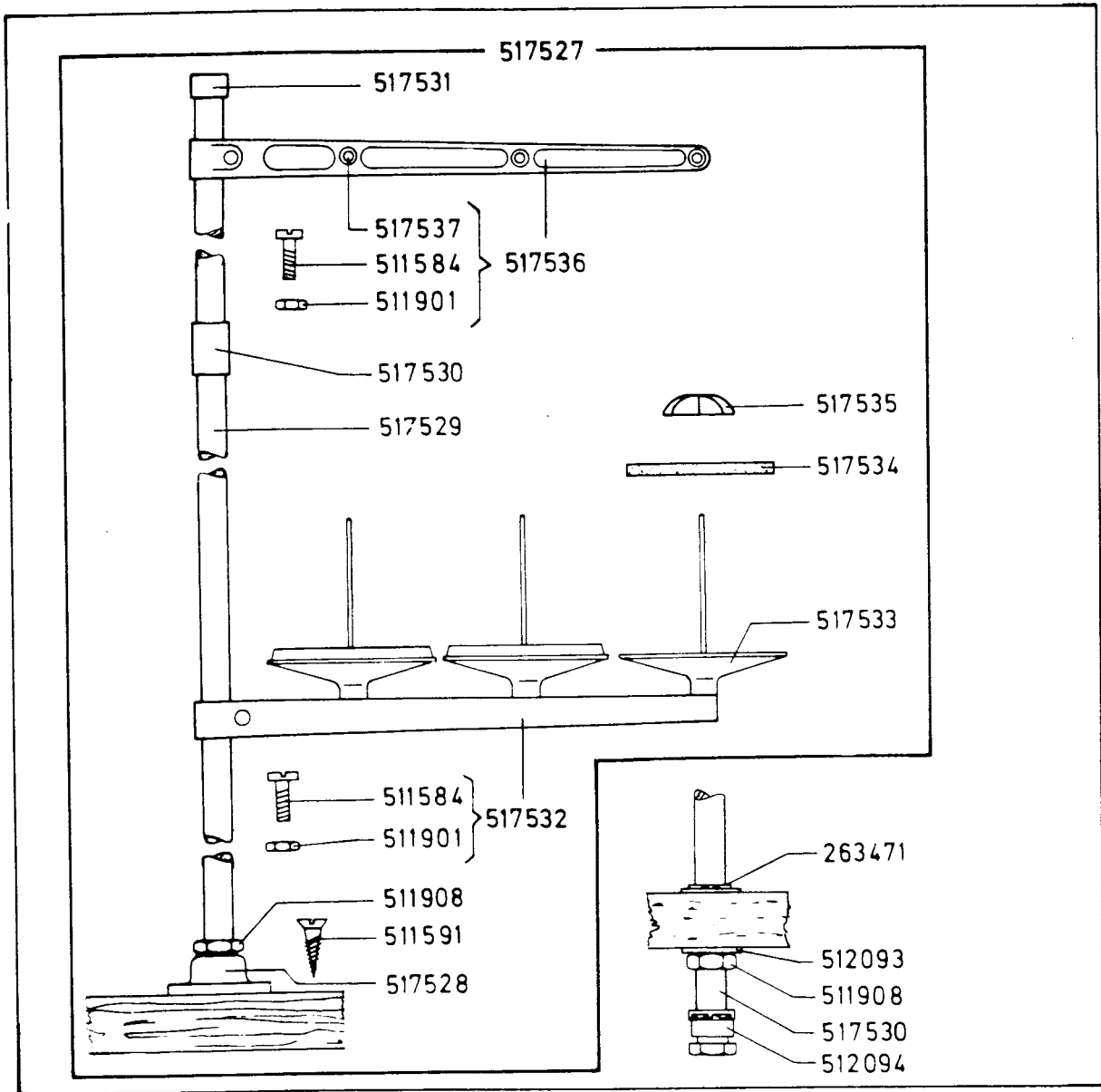
211 G 165 - 1500(0870)

From the library of: Diamond Needle Corp

457-833	BOBBIN WINDER PULLEY SET SCREW	225461	BOBBIN WINDER TENSION BRACKET WITH 201499
2102	BOBBIN WINDER TENSION DISK (2)	225462	BOBBIN WINDER TENSION BRACKET CPL.
13710	BOBBIN WINDER TENSION SPRING		NOS. 13710, 201572, 225461 AND TWO 2102
200056-850	BOBBIN WINDER STOP LATCH SCREW	228026	BOBBIN WINDER TENSION BRACKET SCREW WASHER
200082-850	BOBBIN WINDER TENSION BRACKET SCREW	244071	BOBBIN WINDER FRAME OIL PACKING (WICK)
200113-850	BOBBIN WINDER BRAKE CLAMP SCREW	259428	BOBBIN WINDER BRAKE (LEATHER)
200299-850	BOBBIN WINDER STOP LATCH TRIP LEVER HINGE SCREW	259429	BOBBIN WINDER BRAKE CLAMP
201499	BOBBIN WINDER TENSION STUD	259462	UNIVERSAL BOBBIN WINDER CPL. NOS. 200056, 200082, 200113,
201572-850	BOBBIN WINDER TENSION STUD THUMB NUT		200299, 202478, 225381, 225444, 225453 TO 225456, 225458, 225462,
202478	BOBBIN WINDER STOP LATCH TRIP LEVER		228026, 259428, 259429, 259662, 259930 TWO EACH 225459 AND
225381	BOBBIN WINDER SPINDLE		WOOD SCREW.
225444	BOBBIN WINDER STOP LATCH	259660	BOBBIN WINDER FRAME OIL WELL WASHER
225453	BOBBIN WINDER FRAME WITH 244071 AND 259660	259662	BOBBIN WINDER AND TENSION BRACKET BASE
225454	BOBBIN WINDER FRAME HINGE PIN	259930	BOBBIN WINDER PULLEY WITH 457
225455	BOBBIN WINDER FRAME SPRING	-----	BOBBIN WINDER WOOD SCREW (3/4 IN. NO. 12 RHD) (2)
225456	BOBBIN WINDER FRAME SPRING PLUNGER		
225458	BOBBIN WINDER STOP LATCH THUMB LEVER		
225459	BOBBIN WINDER STOP LATCH THUMB LEVER HINGE STUD (2)		

PART NO. DESCRIPTION

PART NO. DESCRIPTION



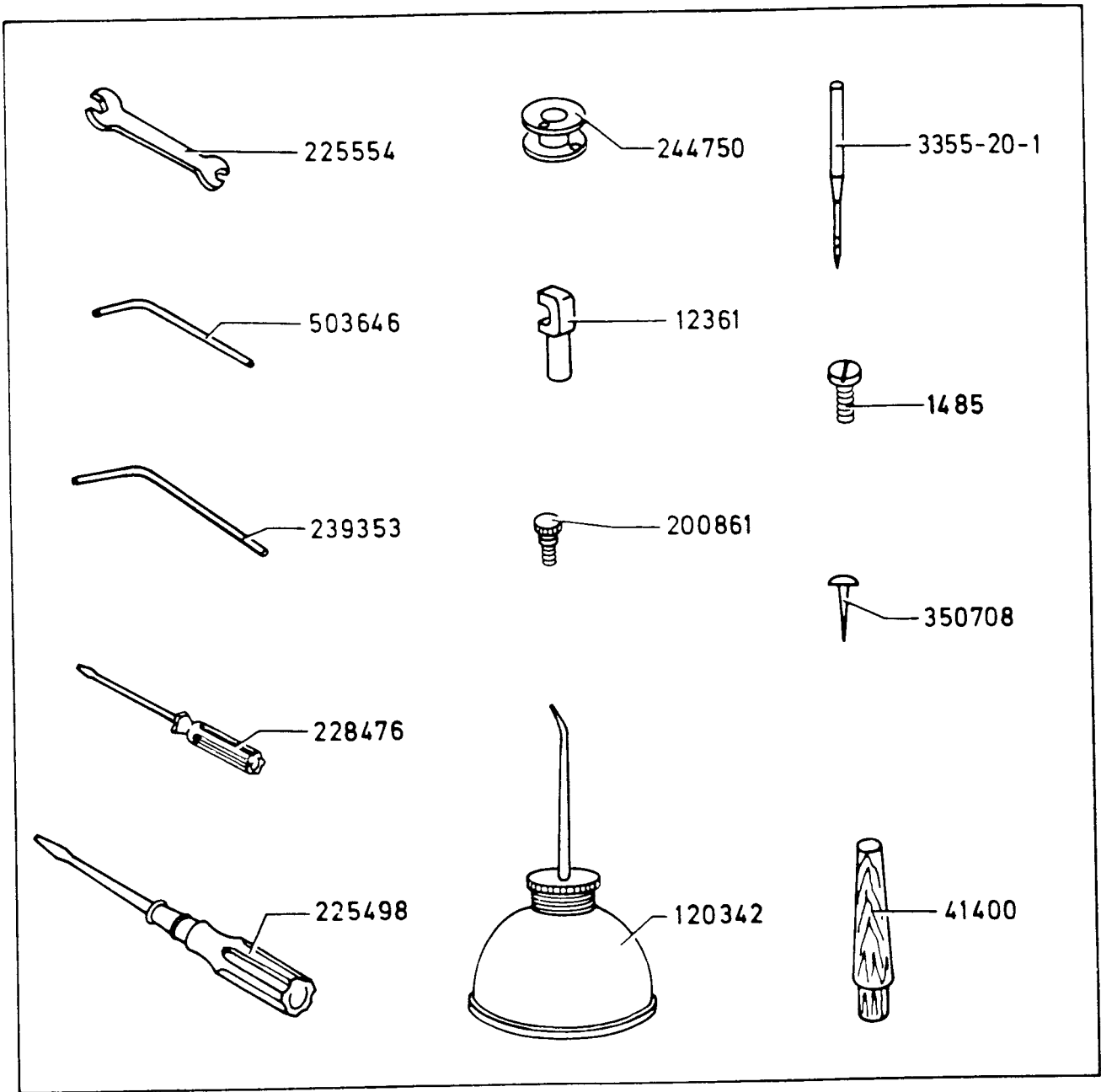
211 G 165 - 1600 (0870)

263471 THREAD UNWINDER ROD RETAINING RING
 511584-850 THREAD UNWINDER SPOOL CARRIER ARM SCREW
 511584-850 THREAD UNWINDER THREAD GUIDE SCREW
 511591-819 THREAD UNWINDER WOOD SCREW (3)
 511901-830 THREAD UNWINDER SPOOL CARRIER ARM NUT
 511901-830 THREAD UNWINDER THREAD GUIDE NUT
 511908-850 THREAD UNWINDER ROD NUT
 512093 THREAD UNWINDER ROD WASHER
 512094 THREAD UNWINDER SCREWED GLAND
 517527 THREAD UNWINDER CPL. NOS. 263471, 511908, 512094,
 517528, 517530, 517530, 517531, 517532, 517536, TWO
 EACH 512093, 517529 AND THREE EACH 511591, 517533,
 517534 AND 517535.

517528 THREAD UNWINDER FOOT
 517529 THREAD UNWINDER ROD
 517530 THREAD UNWINDER ROD CONNECTION
 517530 THREAD UNWINDER PLAIN COUPLER
 517531 THREAD UNWINDER ROD CAP
 517532 THREAD UNWINDER SPOOL CARRIER ARM
 WITH 511584 AND 511901.
 517533 THREAD UNWINDER SPOOL CARRIER PLATE
 517534 THREAD UNWINDER SPOOL CUSHION
 517535 THREAD UNWINDER SPOOL HOLDER
 517536 THREAD UNWINDER THREAD GUIDE WITH 511584, 511901
 AND THREE 517537
 517537 THREAD UNWINDER THREAD GUIDE BUSHING

PART NO. DESCRIPTION

PART NO. DESCRIPTION



From the library of: Diamond Needle Corp

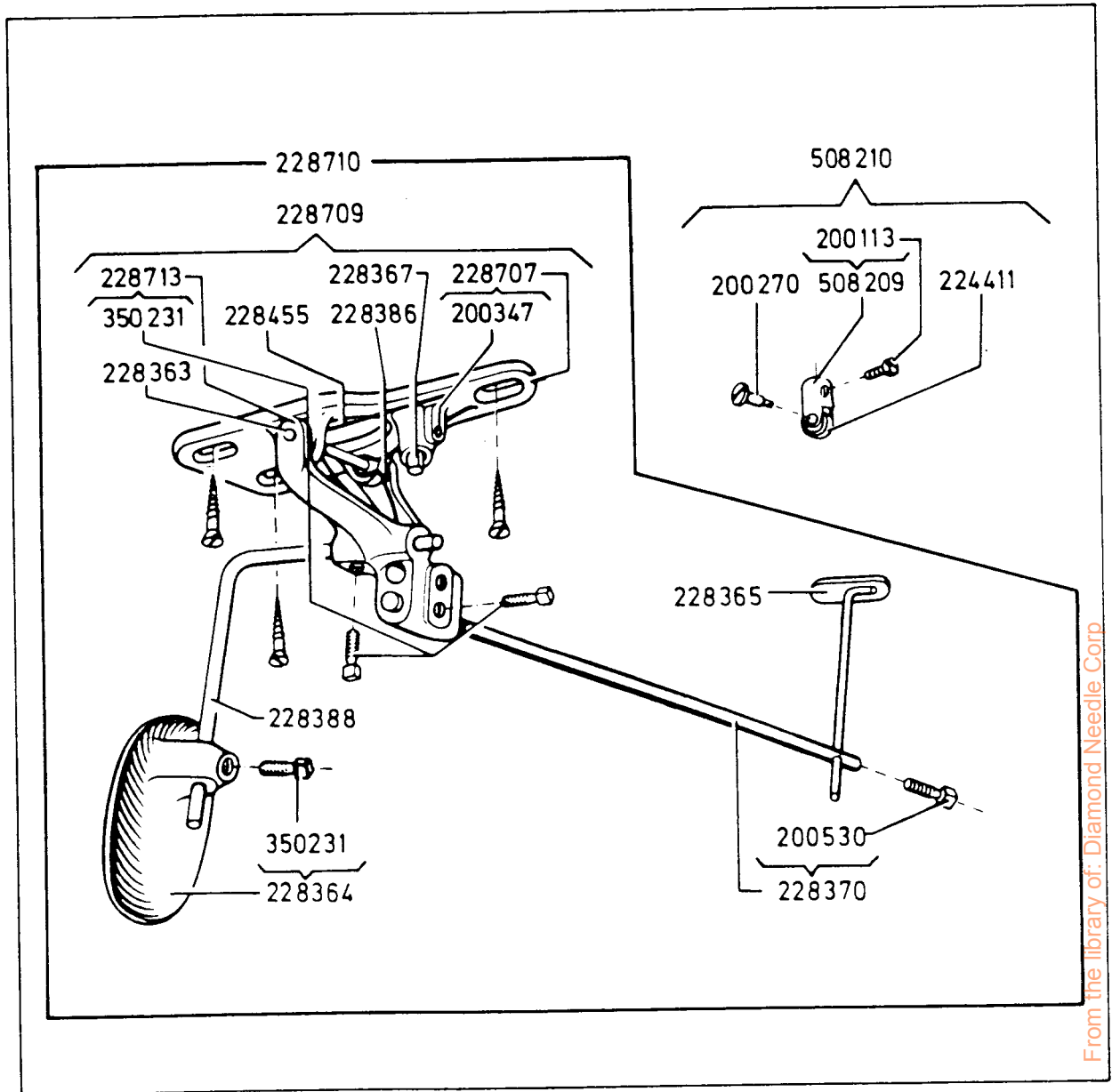
211 G165 - 1700(0570)

1485-850 ATTACHMENT SCREW
 12361 MACHINE HINGE CONNECTION (2)
 41400 MACHINE REST PIN (WOOD)
 120342 OILER (COPPER PLATED)
 200861-819 BED SLIDE THUMB SCREW
 225498 SCREW DRIVER

225554 WRENCH
 228476 SCREW DRIVER
 239353 WRENCH (5/32 IN. HEX.)
 244750 BOBBIN (2)
 350708-805 DRIP PAN SCREW NAIL (7)
 503646 WRENCH (3/32 IN. HEX.)

PART NO. DESCRIPTION

PART NO. DESCRIPTION



From the library of: Diamond Needle Corp

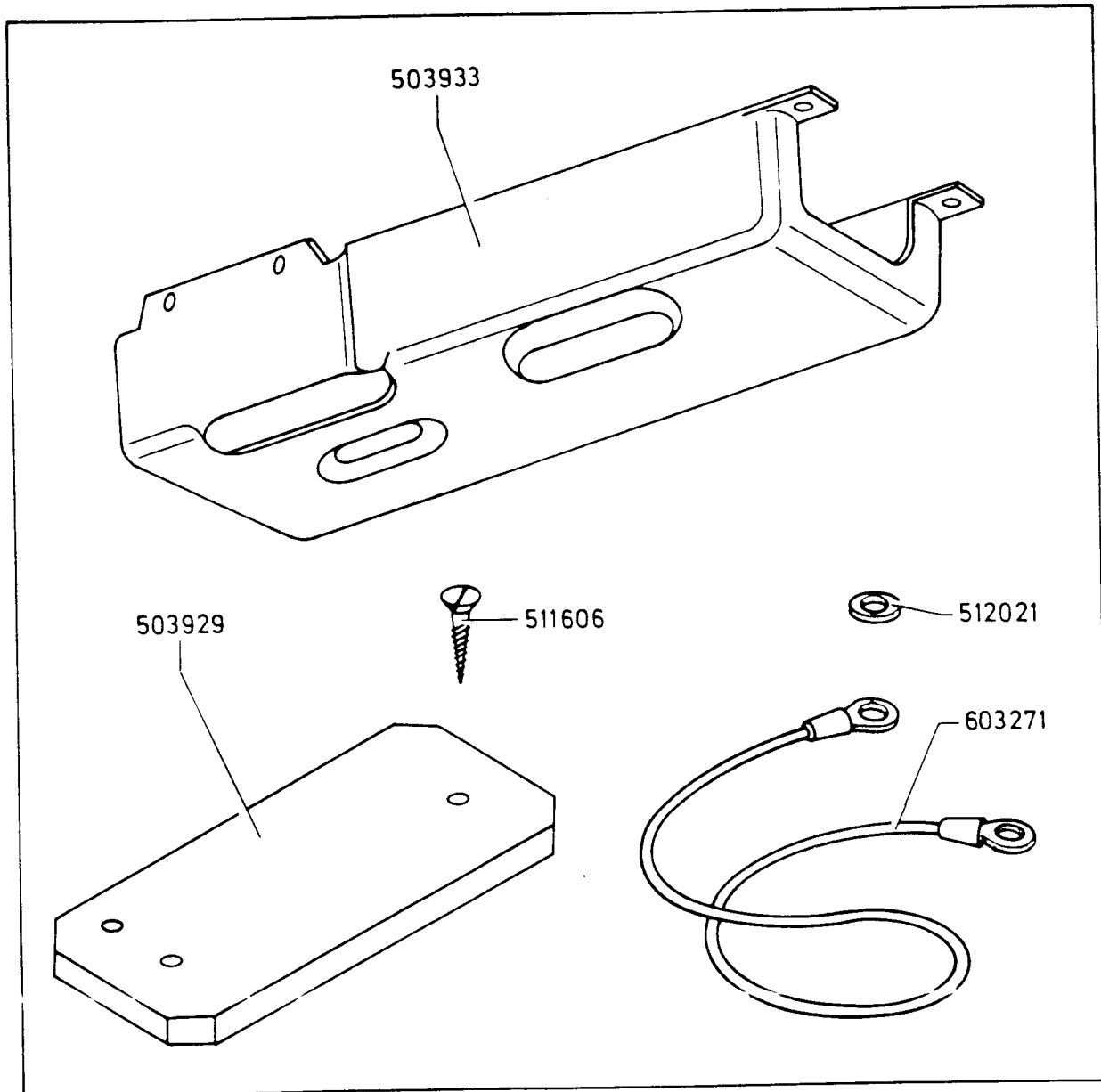
211 G165-1300-(10870)

200113-850	NEEDLE OPERATING ROD ROLLER PINCH SCREW
200270-850	NEEDLE OPERATING ROD ROLLER HINGE SCREW
200347-850	KNEE LIFTER ROCK LEVER STOP STUD SET SCREW
200530-850	KNEE LIFTER ROCK LEVER ROD SET SCREW
224411	NEEDLE OPERATING ROD ROLLER
228363	KNEE LIFTER ROCK LEVER HINGE PIN
228364	KNEE LIFTER ROCK LEVER KNEE PLATE WITH 350231
228365	KNEE LIFTER ROCK LEVER ROD
228367	KNEE LIFTER ROCK LEVER STOP STUD
228370	KNEE LIFTER ROCK LEVER EXTENSION WITH 200530
228386	KNEE LIFTER ROCK LEVER SPRING
228388	KNEE LIFTER ROCK LEVER KNEE PLATE ARM
228455	KNEE LIFTER ROCK LEVER POSITION SPRING
228707	KNEE LIFTER ROCK LEVER BRACKET WITH 200347 AND THREE WOOD SCREWS 7/8 INCH, NO. 12

228709	KNEE LIFTER ROCK LEVER BRACKET CPL. NOS. 228363, 228367, 228386, 228455, 228707 AND 228713
228710	KNEE LIFTER ROCK LEVER CPL. NOS. 228364, 228365, 228370, 228388 AND 228709
228713	KNEE LIFTER ROCK LEVER WITH TWO 350231
350231-850	KNEE LIFTER ROCK LEVER EXTENSION SET SCREW AND KNEE LIFTER ROCK LEVER KNEE PLATE ARM SET SCREW ?
508209	KNEE LIFTER ROCK LEVER KNEE PLATE SET SCREW
508210	NEEDLE OPERATING ROD ROLLER WITH 200113
-----	NEEDLE OPERATING ROD ROLLER CPL. NOS. 200270, 224411 AND 508209
-----	WOOD SCREW 7/8 INCH, NO. 12/31

PART NO. DESCRIPTION

PART NO. DESCRIPTION



211 G 165 - 1400 - (0870)

503929	KNEE LIFTER BASE
503933	DRIP PAN
511606-805	KNEE LIFTER BASE WOOD SCREW (3)
512021	MACHINE GROUNDING WIRE LOCK WASHER
603271	MACHINE GROUNDING WIRE

PART NO.	DESCRIPTION	PART NO.	DESCRIPTION
----------	-------------	----------	-------------